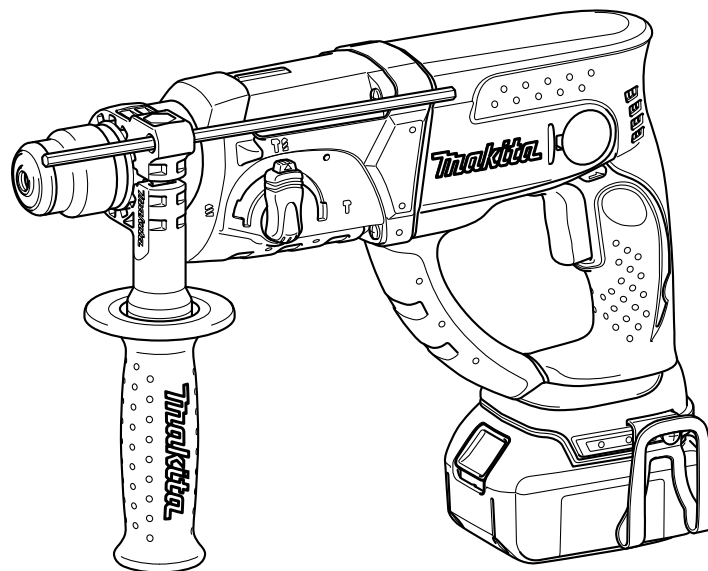




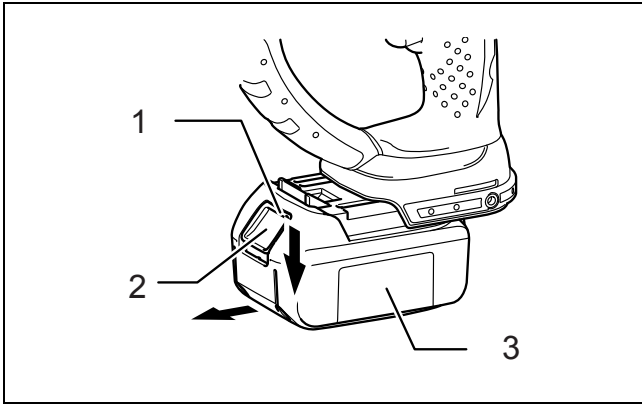
GB	Cordless Combination Hammer	Instruction manual
F	Marteau Combiné sans Fil	Manuel d'instructions
D	Akku-Kombi-Bohrhammer	Betriebsanleitung
I	Martello combinato a batteria	Istruzioni per l'uso
NL	Accucombinatiehamer	Gebruiksaanwijzing
E	Martillo Combinado Inalámbrico	Manual de instrucciones
P	Martelete Combinado A Bateria	Manual de instruções
DK	Kabelfri kombihammer	Brugsanvisning
GR	Πνευματικό-σκαπτικό δράπανο μπαταρίας	Οδηγίες χρήσης

DHR202



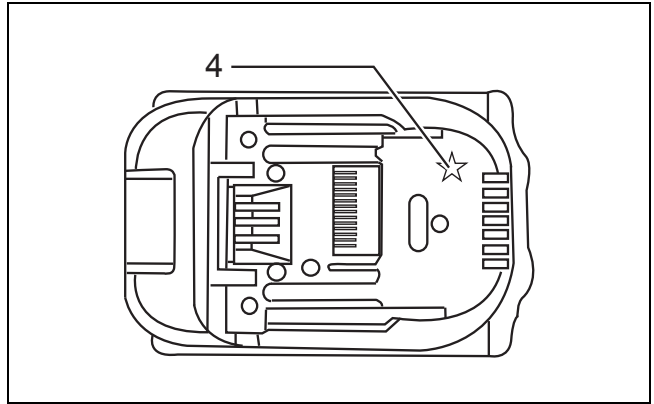
008828





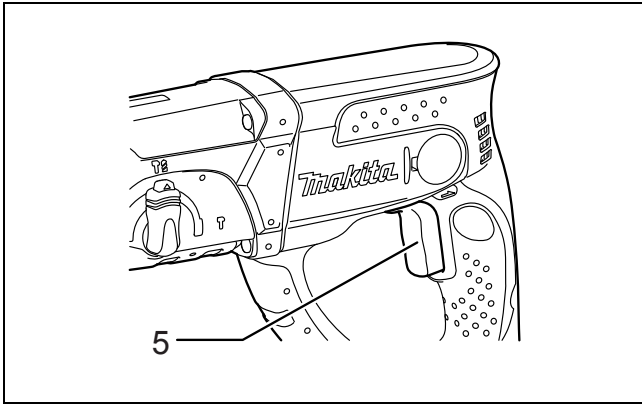
1

012133



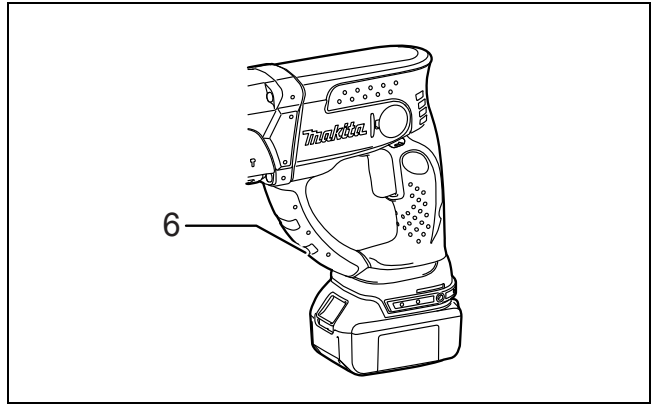
2

012128



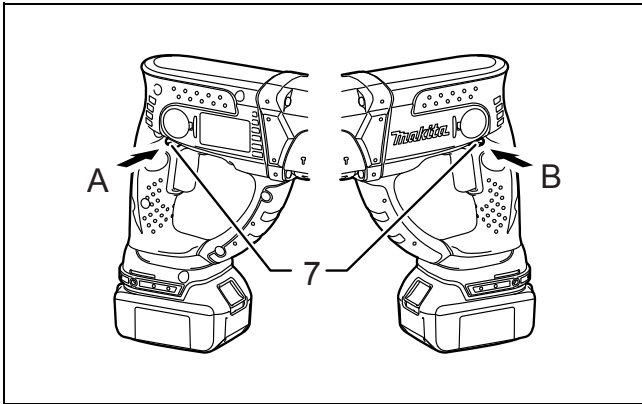
3

008831



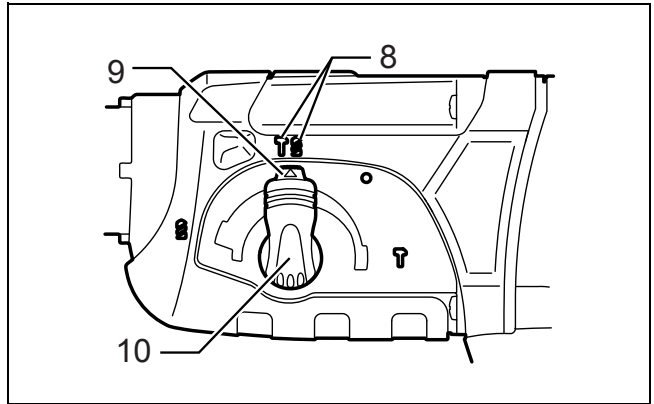
4

008836



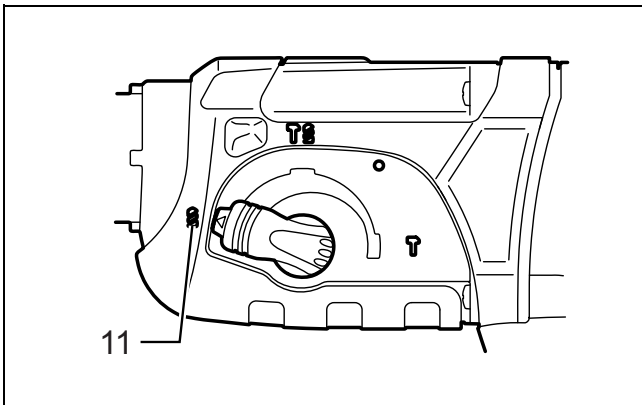
5

008832



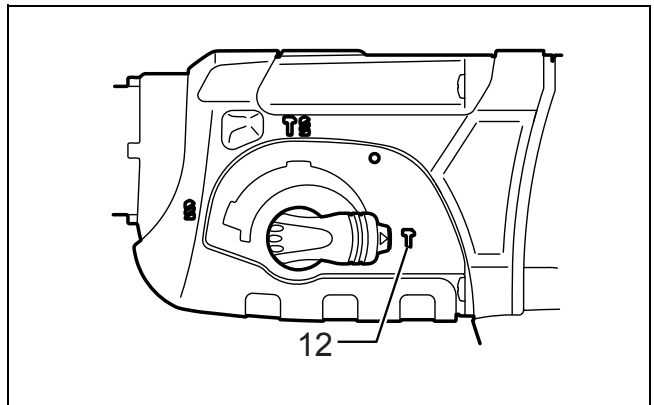
6

007575



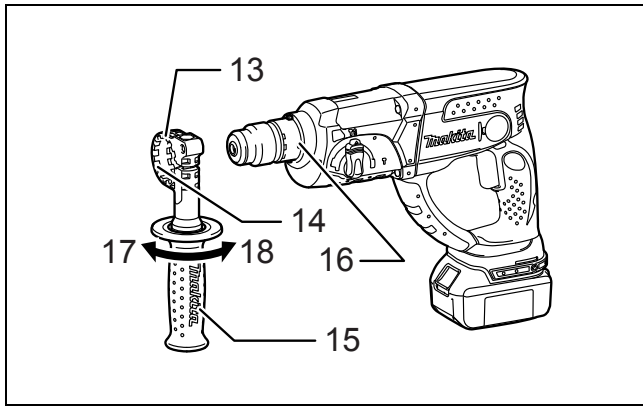
7

007576



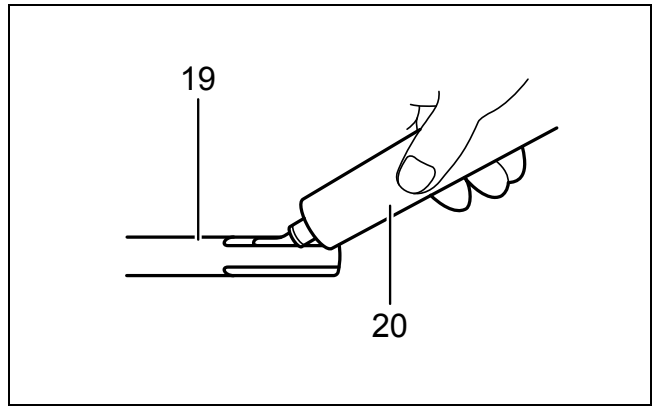
8

007577



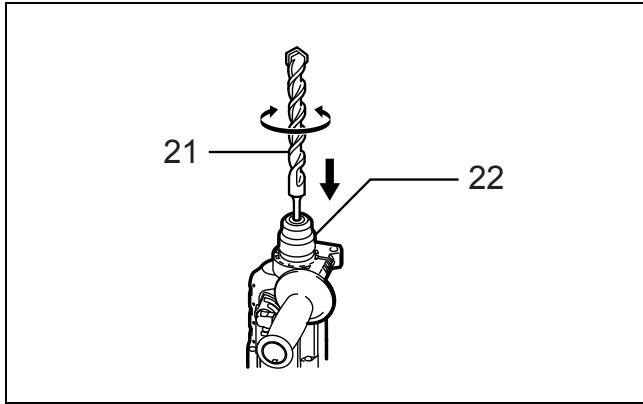
9

008830



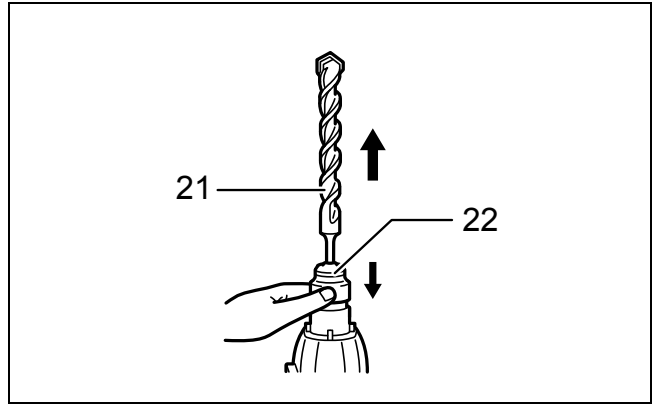
10

001296



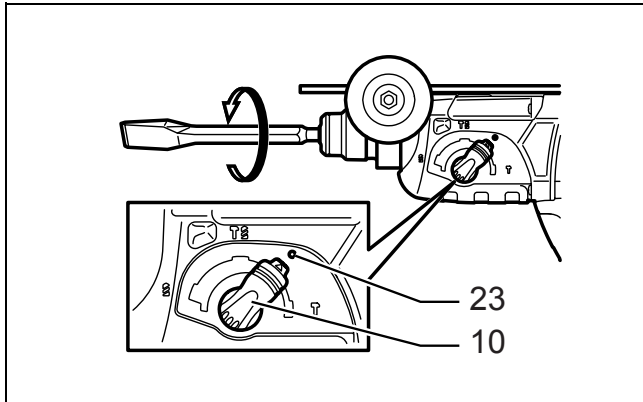
11

007342



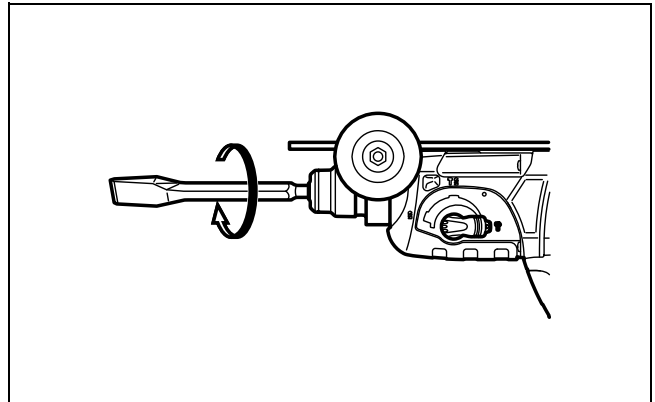
12

001298



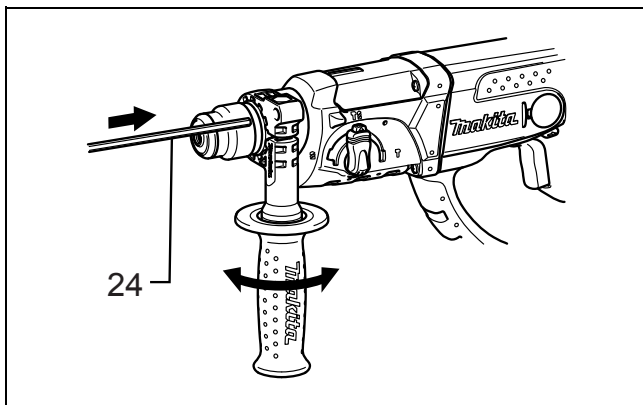
13

007578



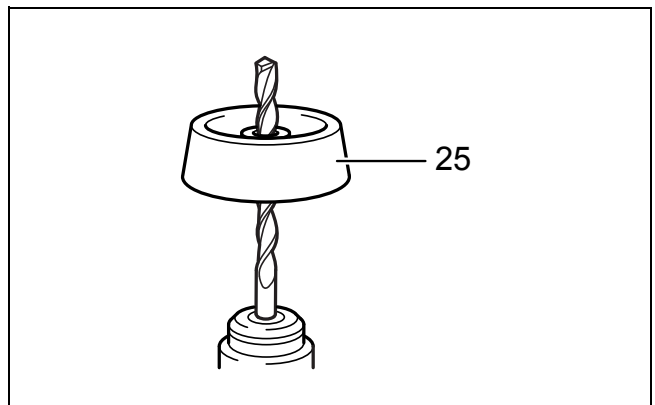
14

007579



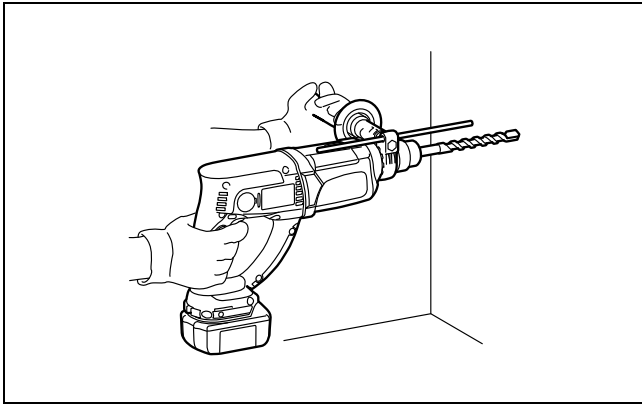
15

008838



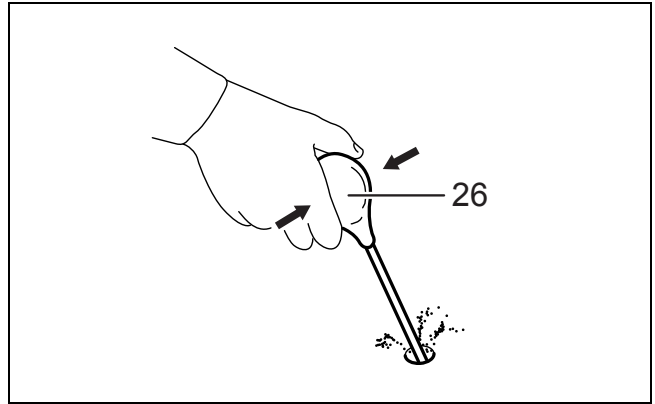
16

001300



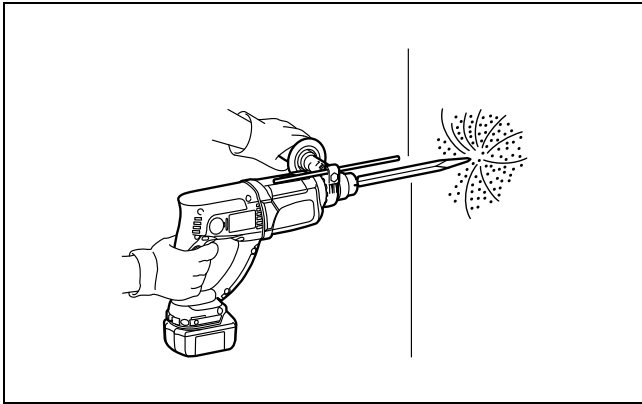
17

008833



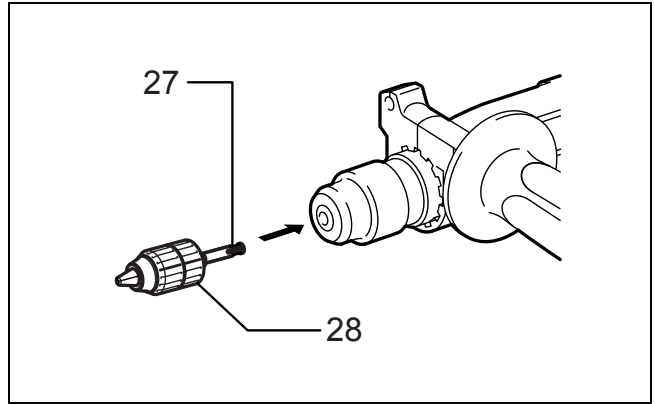
18

002449



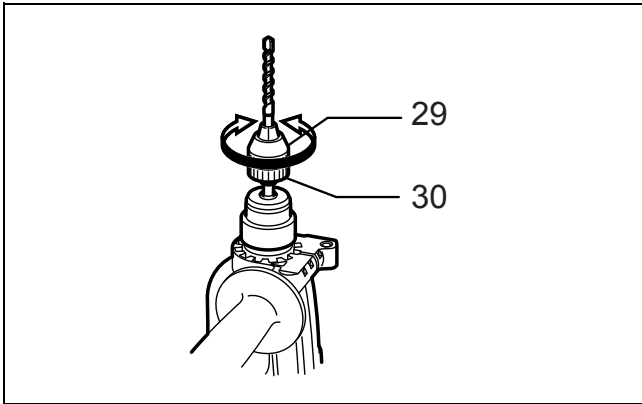
19

008837



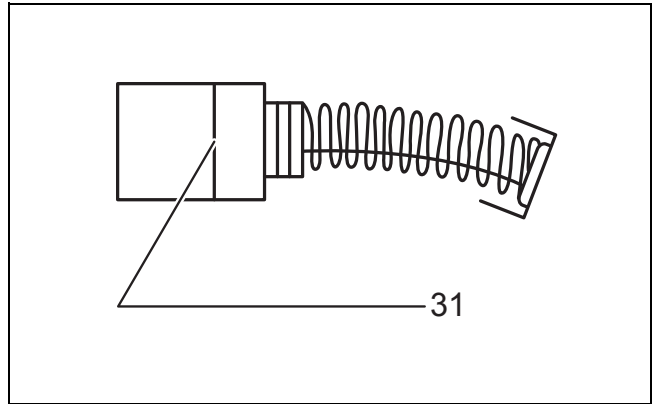
20

004223



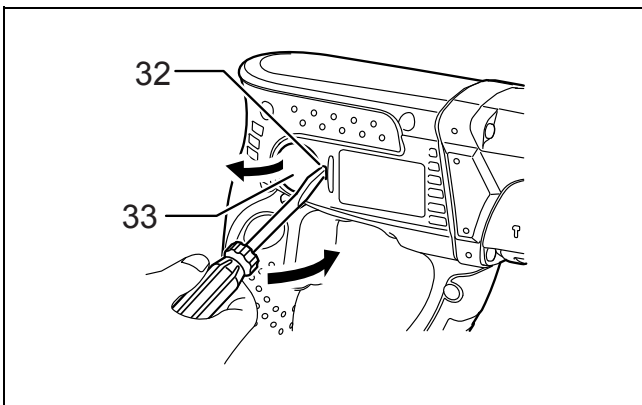
21

007048



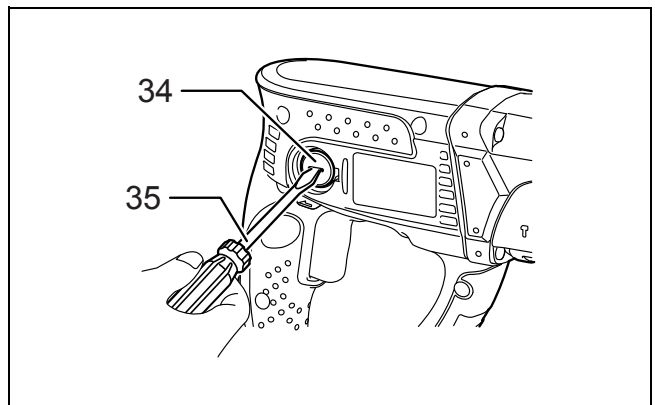
22

001145



23

008834



24

008835

ENGLISH (Original instructions)

Explanation of general view

- | | | |
|-------------------------------|-----------------|-------------------------|
| 1. Red indicator | 13. Grip base | 25. Dust cup |
| 2. Button | 14. Teeth | 26. Blow-out bulb |
| 3. Battery cartridge | 15. Side grip | 27. Chuck adapter |
| 4. Star marking | 16. Protrusion | 28. Keyless drill chuck |
| 5. Switch trigger | 17. Loosen | 29. Sleeve |
| 6. Lamp | 18. Tighten | 30. Ring |
| 7. Reversing switch lever | 19. Bit shank | 31. Limit mark |
| 8. Rotation with hammering | 20. Bit grease | 32. Recessed part |
| 9. Lock button | 21. Bit | 33. Holder cap cover |
| 10. Action mode changing knob | 22. Chuck cover | 34. Brush holder cap |
| 11. Rotation only | 23. O symbol | 35. Screwdriver |
| 12. Hammering only | 24. Depth gauge | |

SPECIFICATIONS

Model		DHR202
Capacities	Concrete	20 mm
	Steel	13 mm
	Wood	26 mm
No load speed (min ⁻¹)		0 - 1,200
Blows per minute		0 - 4,000
Overall length		358 mm
Net weight		3.5 kg
Rated voltage		D.C. 18 V

- Due to our continuing program of research and development, the specifications herein are subject to change without notice.
- Specifications and battery cartridge may differ from country to country.
- Weight, with battery cartridge, according to EPTA-Procedure 01/2003


Intended use

ENE043-1

The tool is intended for hammer drilling and drilling in brick, concrete and stone as well as for chiselling work. It is also suitable for drilling without impact in wood, metal, ceramic and plastic.

General Power Tool Safety Warnings

GEA010-1

 **WARNING** Read all safety warnings and all instructions. Failure to follow the warnings and instructions may result in electric shock, fire and/or serious injury.

Save all warnings and instructions for future reference.

CORDLESS ROTARY HAMMER SAFETY WARNINGS

GEB046-2

1. **Wear ear protectors.** Exposure to noise can cause hearing loss.
2. **Use auxiliary handle(s), if supplied with the tool.** Loss of control can cause personal injury.
3. **Hold power tool by insulated gripping surfaces, when performing an operation where the cutting accessory may contact hidden wiring.** Cutting accessory contacting a “live” wire may make exposed metal parts of the power tool “live” and could give the operator an electric shock.
4. **Wear a hard hat (safety helmet), safety glasses and/or face shield. Ordinary eye or sun glasses are NOT safety glasses. It is also highly recommended that you wear a dust mask and thickly padded gloves.**
5. **Be sure the bit is secured in place before operation.**
6. **Under normal operation, the tool is designed to produce vibration. The screws can come loose easily, causing a breakdown or accident. Check tightness of screws carefully before operation.**
7. **In cold weather or when the tool has not been used for a long time, let the tool warm up for a while by operating it under no load. This will loosen up the lubrication. Without proper warm-up, hammering operation is difficult.**
8. **Always be sure you have a firm footing. Be sure no one is below when using the tool in high locations.**
9. **Hold the tool firmly with both hands.**
10. **Keep hands away from moving parts.**
11. **Do not leave the tool running. Operate the tool only when hand-held.**
12. **Do not point the tool at any one in the area when operating. The bit could fly out and injure someone seriously.**

13. Do not touch the bit or parts close to the bit immediately after operation; they may be extremely hot and could burn your skin.
14. Some material contains chemicals which may be toxic. Take caution to prevent dust inhalation and skin contact. Follow material supplier safety data.

SAVE THESE INSTRUCTIONS.

WARNING:

DO NOT let comfort or familiarity with product (gained from repeated use) replace strict adherence to safety rules for the subject product. MISUSE or failure to follow the safety rules stated in this instruction manual may cause serious personal injury.

IMPORTANT SAFETY INSTRUCTIONS

ENC007-7

FOR BATTERY CARTRIDGE

1. Before using battery cartridge, read all instructions and cautionary markings on (1) battery charger, (2) battery, and (3) product using battery.
2. Do not disassemble battery cartridge.
3. If operating time has become excessively shorter, stop operating immediately. It may result in a risk of overheating, possible burns and even an explosion.
4. If electrolyte gets into your eyes, rinse them out with clear water and seek medical attention right away. It may result in loss of your eyesight.
5. Do not short the battery cartridge:
 - (1) Do not touch the terminals with any conductive material.
 - (2) Avoid storing battery cartridge in a container with other metal objects such as nails, coins, etc.
 - (3) Do not expose battery cartridge to water or rain.

A battery short can cause a large current flow, overheating, possible burns and even a breakdown.
6. Do not store the tool and battery cartridge in locations where the temperature may reach or exceed 50°C (122°F).
7. Do not incinerate the battery cartridge even if it is severely damaged or is completely worn out. The battery cartridge can explode in a fire.
8. Be careful not to drop or strike battery.
9. Do not use a damaged battery.

SAVE THESE INSTRUCTIONS.

Tips for maintaining maximum battery life

1. Charge the battery cartridge before completely discharged.
Always stop tool operation and charge the battery cartridge when you notice less tool power.
2. Never recharge a fully charged battery cartridge. Overcharging shortens the battery service life.

3. Charge the battery cartridge with room temperature at 10°C - 40°C (50°F - 104°F). Let a hot battery cartridge cool down before charging it.
4. Charge the battery cartridge once in every six months if you do not use it for a long period of time.

FUNCTIONAL DESCRIPTION

CAUTION:

- Always be sure that the tool is switched off and the battery cartridge is removed before adjusting or checking function on the tool.

Installing or removing battery cartridge (Fig. 1)

- Always switch off the tool before installing or removing of the battery cartridge.
- To remove the battery cartridge, slide it from the tool while sliding the button on the front of the cartridge.
- To install the battery cartridge, align the tongue on the battery cartridge with the groove in the housing and slip it into place. Always insert it all the way until it locks in place with a little click. If you can see the red indicator on the upper side of the button, it is not locked completely. Install it fully until the red indicator cannot be seen. If not, it may accidentally fall out of the tool, causing injury to you or someone around you.
- Do not use force when installing the battery cartridge. If the cartridge does not slide in easily, it is not being inserted correctly.

Battery protection system (Lithium-ion battery with star marking) (Fig. 2)

Lithium-ion batteries with a star marking are equipped with a protection system. This system automatically cuts off power to the tool to extend battery life.

The tool will automatically stop during operation if the tool and/or battery are placed under one of the following conditions:

- Overloaded:
 - The tool is operated in a manner that causes it to draw an abnormally high current.
 - In this situation, release the trigger switch on the tool and stop the application that caused the tool to become overloaded. Then pull the trigger switch again to restart.
 - If the tool does not start, the battery is overheated. In this situation, let the battery cool before pulling the trigger switch again.
- Low battery voltage:
 - The remaining battery capacity is too low and the tool will not operate. In this situation, remove and recharge the battery.

Switch action (Fig. 3)

CAUTION:

- Before inserting the battery cartridge into the tool, always check to see that the switch trigger actuates properly and returns to the "OFF" position when released.

To start the tool, simply pull the switch trigger. Tool speed is increased by increasing pressure on the switch trigger. Release the switch trigger to stop.

Lighting up the lamp (Fig. 4)

CAUTION:

- Do not look in the light or see the source of light directly.

Pull the switch trigger to light up the lamp. The lamp keeps on lighting while the switch trigger is being pulled. The light automatically goes out 10 - 15 seconds after the switch trigger is released.

NOTE:

- Use a dry cloth to wipe the dirt off the lens of lamp. Be careful not to scratch the lens of lamp, or it may lower the illumination.
- Do not use thinner or gasoline to clean the lamp. Such solvents may damage it.

Reversing switch action (Fig. 5)

This tool has a reversing switch to change the direction of rotation. Depress the reversing switch lever from the A side for clockwise rotation or from the B side for counterclockwise rotation.


When the reversing switch lever is in the neutral position, the switch trigger cannot be pulled.

CAUTION:


- Always check the direction of rotation before operation.
- Use the reversing switch only after the tool comes to a complete stop. Changing the direction of rotation before the tool stops may damage the tool.
- When not operating the tool, always set the reversing switch lever to the neutral position.

Selecting the action mode

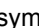
Rotation with hammering (Fig. 6)

For drilling in concrete, masonry, etc., depress the lock button and rotate the action mode changing knob to the  symbol. Use a tungsten-carbide tipped bit.

Rotation only (Fig. 7)

For drilling in wood, metal or plastic materials, depress the lock button and rotate the action mode changing knob to the  symbol. Use a twist drill bit or wood bit.

Hammering only (Fig. 8)

For chipping, scaling or demolition operations, depress the lock button and rotate the action mode changing knob to the  symbol. Use a bull point, cold chisel, scaling chisel, etc.

CAUTION:

- Do not rotate the action mode changing knob when the tool is running. The tool will be damaged.
- To avoid rapid wear on the mode change mechanism, be sure that the action mode changing knob is always positively located in one of the three action mode positions.

Torque limiter

The torque limiter will actuate when a certain torque level is reached. The motor will disengage from the output shaft. When this happens, the bit will stop turning.

CAUTION:

- As soon as the torque limiter actuates, switch off the tool immediately. This will help prevent premature wear of the tool.
- Hole saws cannot be used with this tool. They tend to pinch or catch easily in the hole. This will cause the torque limiter to actuate too frequently.

ASSEMBLY

CAUTION:

- Always be sure that the tool is switched off and the battery cartridge is removed before carrying out any work on the tool.

Side grip (auxiliary handle) (Fig. 9)

CAUTION:

- Always use the side grip to ensure operating safety. Install the side grip so that the teeth on the grip fit in between the protrusions on the tool barrel. Then tighten the grip by turning clockwise at the desired position. It may be swung 360° so as to be secured at any position.

Bit grease

Coat the bit shank head beforehand with a small amount of bit grease (about 0.5 -1 g). This chuck lubrication assures smooth action and longer service life.

Installing or removing the bit

Clean the bit shank and apply bit grease before installing the bit. (Fig. 10)

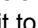
Insert the bit into the tool. Turn the bit and push it in until it engages. (Fig. 11)


If the bit cannot be pushed in, remove the bit. Pull the chuck cover down a couple of times. Then insert the bit again. Turn the bit and push it in until it engages.

After installing, always make sure that the bit is securely held in place by trying to pull it out.

To remove the bit, pull the chuck cover down all the way and pull the bit out. (Fig. 12)

Bit angle (when chipping, scaling or demolishing) (Fig. 13)

The bit can be secured at the desired angle. To change the bit angle, depress the lock button and rotate the action mode changing knob to the  symbol. Turn the bit to the desired angle.

Depress the lock button and rotate the action mode changing knob to the  symbol. Then make sure that the bit is securely held in place by turning it slightly. (Fig. 14)

Depth gauge (Fig. 15)

The depth gauge is convenient for drilling holes of uniform depth. Loosen the side grip and insert the depth gauge into the hole in the side grip. Adjust the depth gauge to the desired depth and tighten the side grip.

NOTE:

- The depth gauge cannot be used at the position where the depth gauge strikes against the gear housing.

Dust cup (Fig. 16)

Use the dust cup to prevent dust from falling over the tool and on yourself when performing overhead drilling


operations. Attach the dust cup to the bit as shown in the figure. The size of bits which the dust cup can be attached to is as follows.

	Bit diameter
Dust cup 5	6 mm - 14.5 mm
Dust cup 9	12 mm - 16 mm

006382

OPERATION

Hammer drilling operation (Fig. 17)

Set the action mode changing knob to the  symbol. Position the bit at the desired location for the hole, then pull the switch trigger. Do not force the tool. Light pressure gives best results. Keep the tool in position and prevent it from slipping away from the hole.

Do not apply more pressure when the hole becomes clogged with chips or particles. Instead, run the tool at an idle, then remove the bit partially from the hole. By repeating this several times, the hole will be cleaned out and normal drilling may be resumed.

CAUTION:

- There is a tremendous and sudden twisting force exerted on the tool/bit at the time of hole breakthrough, when the hole becomes clogged with chips and particles, or when striking reinforcing rods embedded in the concrete. Always use the side grip (auxiliary handle) and firmly hold the tool by both side grip and switch handle during operations. Failure to do so may result in the loss of control of the tool and potentially severe injury.

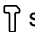
NOTE:

Eccentricity in the bit rotation may occur while operating the tool with no load. The tool automatically centers itself during operation. This does not affect the drilling precision.

Blow-out bulb (optional accessory) (Fig. 18)


After drilling the hole, use the blow-out bulb to clean the dust out of the hole.

Chipping/Scaling/Demolition (Fig. 19)

Set the action mode changing knob to the  symbol. Hold the tool firmly with both hands. Turn the tool on and apply slight pressure on the tool so that the tool will not bounce around, uncontrolled. Pressing very hard on the tool will not increase the efficiency.

Drilling in wood or metal (Fig. 20 & 21)

Use the optional drill chuck assembly. When installing it, refer to "Installing or removing the bit" described on the previous page.

Set the action mode changing knob so that the pointer points to the  symbol.

CAUTION:

- Never use "rotation with hammering" when the drill chuck assembly is installed on the tool. The drill chuck assembly may be damaged. Also, the drill chuck will come off when reversing the tool.

- Pressing excessively on the tool will not speed up the drilling. In fact, this excessive pressure will only serve to damage the tip of your bit, decrease the tool performance and shorten the service life of the tool.
- There is a tremendous twisting force exerted on the tool/bit at the time of hole breakthrough. Hold the tool firmly and exert care when the bit begins to break through the workpiece.
- A stuck bit can be removed simply by setting the reversing switch to reverse rotation in order to back out. However, the tool may back out abruptly if you do not hold it firmly.
- Always secure small workpieces in a vise or similar hold-down device.

MAINTENANCE

CAUTION:

- Always be sure that the tool is switched off and the battery cartridge is removed before attempting to perform inspection or maintenance.
- Never use gasoline, benzine, thinner, alcohol or the like. Discoloration, deformation or cracks may result.

Replacing carbon brushes (Fig. 22)

Remove and check the carbon brushes regularly. Replace when they wear down to the limit mark. Keep the carbon brushes clean and free to slip in the holders. Both carbon brushes should be replaced at the same time. Use only identical carbon brushes.

Remove holder cap covers by inserting the slotted bit screwdriver into the recessed part in the tool and lifting it up. (Fig. 23)

Use a screwdriver to remove the brush holder caps.

Take out the worn carbon brushes, insert the new ones and secure the brush holder caps. (Fig. 24)

Remount the holder cap covers on the tool.

To maintain product SAFETY and RELIABILITY, repairs, any other maintenance or adjustment should be performed by Makita Authorized Service Centers, always using Makita replacement parts.

OPTIONAL ACCESSORIES

CAUTION:

- These accessories or attachments are recommended for use with your Makita tool specified in this manual. The use of any other accessories or attachments might present a risk of injury to persons. Only use accessory or attachment for its stated purpose.

If you need any assistance for more details regarding these accessories, ask your local Makita Service Center.

- SDS-Plus Carbide-tipped bits
- Bull point
- Cold chisel
- Scaling chisel
- Grooving chisel
- Drill chuck assembly
- Drill chuck S13
- Chuck adapter
- Chuck key S13
- Bit grease
- Side grip
- Depth gauge

- Blow-out bulb
- Dust cup
- Dust extractor attachment
- Safety goggles
- Plastic carrying case
- Keyless drill chuck
- Various type of Makita genuine batteries and chargers

NOTE:

- Some items in the list may be included in the tool package as standard accessories. They may differ from country to country.

The Technical file in accordance with 2006/42/EC is available from:

Makita, Jan-Baptist Vinkstraat 2, 3070, Belgium

31. 12. 2013



Yasushi Fukaya
Director

Makita, Jan-Baptist Vinkstraat 2, 3070, Belgium

Noise ENG905-1

The typical A-weighted noise level determined according to EN60745:

Sound pressure level (L_{pA}): 87 dB (A)

Sound power level (L_{WA}): 98 dB (A)

Uncertainty (K): 3 dB (A)

Wear ear protection.

Vibration ENG900-1

The vibration total value (tri-axial vector sum) determined according to EN60745:

Work mode: hammer drilling into concrete

Vibration emission ($a_{h,HD}$): 14.5 m/s²

Uncertainty (K): 1.5 m/s²

Work mode: chiselling

Vibration emission ($a_{h,CHeq}$): 11.0 m/s²

Uncertainty (K): 1.5 m/s²

Work mode: drilling into metal

Vibration emission ($a_{h,D}$): 3.0 m/s²

Uncertainty (K): 1.5 m/s²

ENG901-1

- The declared vibration emission value has been measured in accordance with the standard test method and may be used for comparing one tool with another.
- The declared vibration emission value may also be used in a preliminary assessment of exposure.

⚠ WARNING:

- The vibration emission during actual use of the power tool can differ from the declared emission value depending on the ways in which the tool is used.
- Be sure to identify safety measures to protect the operator that are based on an estimation of exposure in the actual conditions of use (taking account of all parts of the operating cycle such as the times when the tool is switched off and when it is running idle in addition to the trigger time).

For European countries only ENH101-17

EC Declaration of Conformity

Makita declares that the following Machine(s):

Designation of Machine:

Cordless Combination Hammer

Model No./Type: DHR202

Conforms to the following European Directives:

2006/42/EC

They are manufactured in accordance with the following Standard or standardized documents:

EN60745

FRANÇAIS (Instructions d'origine)

Descriptif

1. Voyant rouge	13. Base de la poignée	25. Collecteur de poussières
2. Bouton	14. Dents	26. Poire soufflante
3. Batterie	15. Poignée latérale	27. Adaptateur de mandrin
4. Étoile	16. Partie saillante	28. Mandrin autoserrant
5. Gâchette	17. Desserrer	29. Manchon
6. Lampe	18. Serrer	30. Bague
7. Levier de l'inverseur	19. Arbre du foret	31. Repère d'usure
8. Rotation avec impacts	20. Graisse à foret	32. Partie encastrée
9. Bouton de verrouillage	21. Foret	33. Cache du bouchon de porte-charbon
10. Bouton de changement de mode	22. Couvercle du mandrin	34. Bouchon de porte-charbon
11. Rotation seulement	23. O symbol	35. Tournevis
12. Impacts seulement	24. Jauge de profondeur	

SPÉCIFICATIONS

Modèle	DHR202	
Capacités	Béton	20 mm
	Acier	13 mm
	Bois	26 mm
Vitesse à vide (min ⁻¹)	0 - 1 200	
Frappes par minute	0 - 4 000	
Longueur totale	358 mm	
Poids net	3,5 kg	
Tension nominale	C.C. 18 V	

- Étant donné l'évolution constante de notre programme de recherche et de développement, les spécifications contenues dans ce manuel sont sujettes à des modifications sans préavis.
- Les spécifications et la batterie peuvent varier d'un pays à l'autre.
- Poids, batterie incluse, selon la procédure EPTA 01/2003

Utilisations

ENE043-1

L'outil est conçu pour le perçage avec impacts et le perçage dans la brique, le béton et la pierre, ainsi que pour les travaux de défoncement. Il convient également au perçage sans impacts dans le bois, le métal, la céramique et le plastique.

Consignes de sécurité générales des outils électriques

GEA010-1

⚠ AVERTISSEMENT Veuillez lire toutes les consignes de sécurité et les instructions. Il y a un risque de choc électrique, d'incendie et/ou de blessure grave si les consignes et les instructions ne sont pas toutes respectées.

Conservez toutes les consignes et instructions pour référence ultérieure.

CONSIGNES DE SÉCURITÉ DU PERFORATEUR SANS FIL

GEB046-2

1. **Portez des protections auditives.** L'exposition au bruit peut entraîner la surdité.

2. **Utilisez la/les poignée(s) auxiliaire(s) qui équipent éventuellement l'outil.** La perte de maîtrise comporte un risque de blessures.
3. **Tenez l'outil électrique par ses surfaces de poigne isolées lorsque vous effectuez une opération au cours de laquelle l'accessoire tranchant peut entrer en contact avec des fils cachés.** Il est possible que le contact avec un fil sous tension mette les parties métalliques exposées de l'outil sous tension, risquant ainsi de provoquer un choc électrique chez l'utilisateur.
4. **Portez un casque de protection (casque de sécurité), des lunettes de sécurité et/ou un écran facial. Les lunettes ordinaires et les lunettes de soleil NE sont PAS des lunettes de sécurité. Nous vous recommandons également de porter un masque anti-poussière et des gants très épais.**
5. **Assurez-vous que le foret est bien serré avant d'utiliser l'outil.**
6. **Même en conditions normales d'utilisation, l'outil produit des vibrations. Les vis peuvent ainsi se desserrer facilement, ce qui risque d'entraîner une rupture de pièce ou un accident. Avant l'utilisation, vérifiez avec soin que les vis sont bien serrées.**
7. **À basse température ou lorsque l'outil est resté inutilisé pendant une période prolongée, laissez-le réchauffer un instant en le faisant fonctionner à vide. Cela permettra au lubrifiant de se réchauffer.**

Le martèlement sera difficile si l'outil n'est pas bien réchauffé.

8. **Veillez à toujours avoir une bonne position d'équilibre.**
Assurez-vous que personne ne se trouve dessous lorsque vous utilisez l'outil en position élevée.
9. **Tenez l'outil fermement à deux mains.**
10. **Gardez les mains éloignées des pièces en mouvement.**
11. **N'abandonnez pas l'outil alors qu'il tourne. Ne faites fonctionner l'outil qu'une fois que vous l'avez bien en main.**
12. **Pendant l'utilisation de l'outil, ne le pointez vers personne dans la zone de travail. Vous risqueriez de blesser gravement quelqu'un en cas d'éjection du foret.**
13. **Ne touchez ni le foret ni les pièces adjacentes immédiatement après l'utilisation de l'outil. Ils risquent d'être extrêmement chauds et de vous brûler gravement la peau.**
14. **Certains matériaux contiennent des produits chimiques qui peuvent être toxiques. Veillez à éviter toute inhalation de poussière et tout contact avec la peau. Respectez les instructions de sécurité du fournisseur du matériel.**

CONSERVEZ CES INSTRUCTIONS.

AVERTISSEMENT :

NE vous laissez **PAS** tromper (au fil d'une utilisation répétée) par un sentiment d'aisance et de familiarité avec le produit, en négligeant le respect rigoureux des consignes de sécurité qui accompagnent l'outil. Une **UTILISATION INCORRECTE** de l'outil ou un non-respect des consignes de sécurité indiquées dans ce manuel d'instructions peuvent causer des blessures graves.

CONSIGNES DE SÉCURITÉ IMPORTANTES

ENC007-7

POUR LA BATTERIE

1. **Avant d'utiliser la batterie, veuillez lire toutes les instructions et tous les avertissements inscrits sur (1) le chargeur, (2) la batterie et (3) l'appareil alimenté par la batterie.**
2. **Ne démontez pas la batterie.**
3. **Cessez immédiatement d'utiliser l'outil si le temps de fonctionnement devient excessivement court. Il y a risque de surchauffe, de brûlures, voire d'explosion.**
4. **Si l'électrolyte pénètre dans vos yeux, rincez-les à l'eau claire et consultez immédiatement un médecin. Il y a risque de perte de la vue.**
5. **Évitez de court-circuiter la batterie :**
 - (1) **Ne touchez les bornes avec aucun matériau conducteur.**
 - (2) **Évitez de ranger la batterie dans un contenant où se trouvent d'autres objets métalliques tels que des clous, pièces de monnaie, etc.**

(3) **N'exposez pas la batterie à l'eau ou à la pluie. Un court-circuit de la batterie risque de provoquer un fort courant, une surchauffe, parfois des brûlures et même une panne.**

6. **Ne rangez pas l'outil ou la batterie dans des endroits où la température risque d'atteindre ou de dépasser 50°C (122°F).**
7. **Ne jetez pas la batterie au feu même si elle est sérieusement endommagée ou complètement épuisée. La batterie peut exploser au contact du feu.**
8. **Veillez à ne pas laisser tomber ou heurter la batterie.**
9. **N'utilisez pas de batterie endommagée.**

CONSERVEZ CES INSTRUCTIONS.

Conseils pour assurer la durée de vie optimale de la batterie

1. **Rechargez la batterie avant qu'elle ne soit complètement épuisée.**
Arrêtez toujours l'outil et rechargez la batterie quand vous constatez que la puissance de l'outil diminue.
2. **Ne rechargez jamais une batterie complètement chargée.**
La surcharge réduit la durée de service de la batterie.
3. **Chargez la batterie alors que la température de la pièce se trouve entre 10°C et 40°C (50°F et 104°F).**
Si une batterie est chaude, laissez-la refroidir avant de la charger.
4. **Si vous n'utilisez pas l'outil pendant une période prolongée, rechargez la batterie tous les six mois.**

DESCRIPTION DU FONCTIONNEMENT

ATTENTION :

- Assurez-vous toujours que l'outil est hors tension et que sa batterie est retirée avant de régler l'outil ou de vérifier son fonctionnement.

Installation et retrait de la batterie (Fig. 1)

- Éteignez toujours l'outil avant d'installer ou de déposer la batterie.
- Pour retirer la batterie, faites glisser le bouton à l'avant de la batterie et sortez la batterie.
- Pour installer la batterie, alignez sa languette sur la rainure qui se trouve à l'intérieur du carter, puis glissez la batterie pour la mettre en place. Insérez-la toujours bien à fond, jusqu'à ce qu'elle se verrouille en émettant un léger clic. Si vous pouvez voir le voyant rouge sur la face supérieure du bouton, la batterie n'est pas parfaitement verrouillée. Installez-la à fond, jusqu'à ce que le voyant rouge ne soit plus visible. Sinon, elle risque de tomber accidentellement de l'outil, en vous blessant ou en blessant une personne située près de vous.
- N'appliquez pas une force excessive lors de l'installation de la batterie. Si la batterie ne glisse pas aisément, c'est qu'elle n'est pas insérée correctement.

Système de protection de la batterie (batterie au lithium-ion comportant une étoile) (Fig. 2)

Les batteries au lithium-ion comportant une étoile sont équipées d'un système de protection. Ce système coupe automatiquement l'alimentation en électricité vers l'outil afin de prolonger sa durée de vie.

L'outil s'arrête automatiquement pendant l'utilisation lorsqu'il et/ou la batterie se trouvent dans l'une des situations suivantes :

- **Surchargé :**
L'outil fonctionne de manière à créer un courant anormalement élevé.
Dans ce cas, relâchez la gâchette située sur l'outil et arrêtez l'application ayant provoqué la surcharge de l'outil. Ensuite, tirez à nouveau sur la gâchette pour redémarrer l'outil.
Si l'outil ne démarre pas, la batterie est en surchauffe. Dans ce cas, laissez la batterie refroidir avant de tirer à nouveau sur la gâchette.
- **Basse tension :**
L'autonomie restante est trop basse et l'outil ne fonctionnera pas. Dans ce cas, retirez la batterie et rechargez-la.

Interrupteur (Fig. 3)

ATTENTION :

- Avant d'insérer la batterie dans l'outil, vérifiez toujours que la gâchette fonctionne bien et revient en position d'arrêt lorsqu'elle est libérée.

Pour mettre l'outil en marche, appuyez simplement sur la gâchette. La vitesse de l'outil augmente à mesure que l'on accroît la pression exercée sur la gâchette. Pour l'arrêter, relâchez la gâchette.

Allumage de la lampe (Fig. 4)

ATTENTION :

- Ne regardez pas directement la lumière ou la source de lumière.

Appuyez sur la gâchette pour allumer la lampe. La lampe demeure allumée tant que la pression sur la gâchette est maintenue.

La lumière s'éteint d'elle-même de 10 à 15 secondes après la libération de la gâchette.

NOTE :

- Utilisez un chiffon sec pour essuyer les saletés qui recouvrent la lentille de la lampe. Prenez garde de ne pas rayer la lentille de la lampe, sinon sa capacité d'éclairage sera affectée.
- N'utilisez ni diluant ni essence pour nettoyer la lampe. De tels solvants risqueraient de l'endommager.

Marche arrière (Fig. 5)

L'outil possède un inverseur qui permet de changer le sens de rotation. Appuyez sur le levier de l'inverseur par le côté A pour une rotation dans le sens des aiguilles d'une montre, ou par le côté B pour une rotation en sens inverse.


La pression sur la gâchette n'est pas possible lorsque le levier de l'inverseur se trouve en position neutre.

ATTENTION :

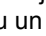
- Vérifiez toujours le sens de rotation avant de mettre l'outil en marche.
- N'actionnez l'inverseur qu'une fois l'outil complètement arrêté. Si vous changez le sens de rotation de l'outil avant l'arrêt de l'outil, vous risquez de l'endommager.
- Lorsque vous n'utilisez pas l'outil, placez toujours le levier de l'inverseur en position neutre.

Sélection du mode de fonctionnement

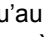
Rotation avec impacts (Fig. 6)

Pour percer dans le béton, la maçonnerie, etc., enfoncez le bouton de verrouillage et tournez le bouton de changement de mode jusqu'au symbole . Utilisez un foret à pointe de carbure de tungstène.

Rotation seulement (Fig. 7)

Pour percer dans le bois, le métal ou les matériaux à base de plastique, enfoncez le bouton de verrouillage et tournez le bouton de changement de mode jusqu'au symbole . Utilisez un foret hélicoïdal ou un foret à bois.

Impacts seulement (Fig. 8)

Pour les travaux de burinage, d'écaillage ou de démolition, enfoncez le bouton de verrouillage et tournez le bouton de changement de mode jusqu'au symbole . Utilisez un pic, un ciseau à froid, un ciseau à écailler, etc.

ATTENTION :

- Ne tournez pas le bouton de changement de mode pendant que l'outil est en marche. Cela endommagera l'outil.
- Pour éviter l'usure rapide du mécanisme de changement de mode, assurez-vous que le bouton de changement de mode est toujours placé avec exactitude sur une des trois positions de mode.

Limiteur de couple

Le limiteur de couple s'active lorsqu'un niveau de couple donné est atteint. Le moteur débrayera alors de l'arbre de sortie. Lorsque cela se produit, le foret cesse de tourner.

ATTENTION :

- Éteignez l'outil immédiatement lorsque le limiteur de couple s'active. Cela aidera à prévenir l'usure trop rapide de l'outil.
- Il n'est pas possible d'utiliser les scies-cloches avec cet outil. Elles ont tendance à se coincer facilement dans le trou. Cela provoquera l'activation trop fréquente du limiteur de couple.

ASSEMBLAGE

ATTENTION :

- Assurez-vous toujours que l'outil est hors tension et que la batterie est retirée avant d'effectuer toute intervention sur l'outil.

Poignée latérale (poignée auxiliaire) (Fig. 9)

ATTENTION :

- Pour une utilisation sûre, utilisez toujours la poignée latérale.

Installez la poignée latérale de sorte que les dents de la poignée pénètrent entre les saillies du barillet de l'outil.

Serrez ensuite la poignée en la tournant dans le sens des aiguilles d'une montre jusqu'à la position désirée. Elle peut être fixée sur n'importe quelle position puisqu'elle pivote sur 360°.

Graisse à foret

Enduisez à l'avance la tête de l'arbre du foret d'une petite quantité de graisse à foret (environ 0,5 à 1 g). Cette lubrification du mandrin assure un fonctionnement fluide et une durée de service plus longue.

Installation ou retrait du foret

Nettoyez l'arbre du foret et appliquez de la graisse à foret avant d'installer le foret. (Fig. 10)

Insérez le foret dans l'outil. Tournez le foret et enfoncez-le jusqu'à ce qu'il s'engage. (Fig. 11)

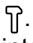
S'il n'est pas possible d'enfoncer le foret, retirez-le. Tirez le couvercle du mandrin vers le bas à quelques reprises. Réinsérez ensuite le foret. Tournez le foret et enfoncez-le jusqu'à ce qu'il s'engage.

Après l'installation, tirez toujours sur le foret pour vous assurer qu'il demeure fermement en place.

Pour retirer le foret, tirez le couvercle du mandrin complètement vers le bas puis tirez sur le foret. (Fig. 12)

Angle du foret (lors du burinage, de l'écaillage ou de la démolition) (Fig. 13)

Vous pouvez fixer le foret sur l'angle désiré. Pour changer l'angle du foret, enfoncez le bouton de verrouillage et tournez le bouton de changement de mode jusqu'au symbole **O**. Tournez le foret jusqu'à l'angle désiré.

Enfoncez le bouton de verrouillage et tournez le bouton de changement de mode jusqu'au symbole . Assurez-vous ensuite que le foret est solidement maintenu en place en le tournant légèrement. (Fig. 14)

Jauge de profondeur (Fig. 15)

La tige de profondeur est pratique pour percer des trous de même profondeur. Desserrez la poignée latérale et insérez la jauge de profondeur dans l'orifice de la poignée latérale. Réglez la jauge de profondeur sur la profondeur désirée et serrez la poignée latérale.

NOTE :

- Il n'est pas possible d'utiliser la jauge de profondeur sur la position où elle frappe contre le carter d'engrenages.

Collecteur de poussières (Fig. 16)

Utilisez le collecteur de poussières pour éviter que les poussières ne tombent de l'outil et sur vous lors des travaux de perçage au-dessus de la tête. Fixez le collecteur de poussières au foret de la façon indiquée sur la figure. Les tailles de foret qui permettent de fixer le collecteur de poussières sont les suivantes.

	Diamètre du foret
Collecteur de poussières 5	6 mm à 14,5 mm
Collecteur de poussières 9	12 mm à 16 mm

006382

UTILISATION

Perçage avec impacts (Fig. 17)

Réglez le bouton de changement de mode sur le symbole



Placez le foret au point où vous désirez percer le trou, puis appuyez sur la gâchette.

Ne forcez pas l'outil. Vous obtiendrez de meilleurs résultats avec une légère pression.

Gardez l'outil dans cette position et évitez qu'il ne glisse à l'extérieur du trou.

N'appliquez pas plus de pression lorsque le trou se bouche de copeaux ou particules. Faites plutôt tourner l'outil au ralenti, puis retirez partiellement le foret du trou. Vous pourrez poursuivre le perçage de façon normale après avoir répété quelques fois cette opération.

ATTENTION :

- Une force de torsion énorme et soudaine s'exerce sur l'outil et le foret lors du perçage du trou, lorsque ce dernier est bouché par des copeaux et particules ou lorsque le foret frappe contre les armatures d'une structure en béton armé. Utilisez toujours la poignée latérale (poignée auxiliaire) et tenez fermement l'outil par la poignée latérale et la poignée de la gâchette pendant l'utilisation. Autrement vous risquez de perdre la maîtrise de l'outil et vous courez un risque de blessure grave.

NOTE :

Il se peut que le foret tourne de manière excentrique lorsque l'outil fonctionne à vide. L'outil se recentre de lui-même pendant l'opération. Cela n'affecte pas la précision du perçage.

Poire soufflante (accessoire en option) (Fig. 18)

Une fois le trou percé, utilisez la poire soufflante pour retirer la poussière du trou.

Burinage/Écaillage/Démolition (Fig. 19)

Réglez le bouton de changement de mode sur le symbole



Tenez l'outil fermement à deux mains. Mettez le contact et appliquez une légère pression sur l'outil de façon à en garder la maîtrise et éviter qu'il ne saute d'un côté et de l'autre. L'application d'une très grande pression sur l'outil n'augmentera pas l'efficacité de l'opération.

Perçage dans le bois ou le métal (Fig. 20 et 21)

Utilisez l'ensemble mandrin en option. Pour l'installer, reportez-vous à "Installation ou retrait du foret", page précédente.

Réglez le bouton de changement de mode de sorte que l'index pointe sur le symbole .

ATTENTION :

- N'utilisez jamais le mode "rotation avec impacts" lorsque l'ensemble mandrin est installé sur l'outil. Vous risqueriez d'endommager l'ensemble mandrin. De plus, le mandrin se détachera si vous retournez l'outil.
- Une pression excessive sur l'outil n'accélère pas le perçage. En fait, la pression excessive endommagera

le bout du foret, réduira l'efficacité de l'outil et raccourcira sa durée de service.

- Une force énorme s'exerce sur l'outil et le foret lorsque ce dernier sort par la face opposée de la pièce. Tenez l'outil fermement et faites bien attention lorsque le foret se met à sortir par la face opposée de la pièce.
- Un foret coincé peut être retiré en réglant simplement l'inverseur sur la rotation inverse pour faire marche arrière. L'outil peut toutefois faire brusquement marche arrière si vous ne le tenez pas fermement.
- Immobilisez toujours les petites pièces à travailler dans un étau ou un dispositif de retenue similaire.

MAINTENANCE

ATTENTION :

- Assurez-vous toujours que l'outil est hors tension et que la batterie est retirée avant d'y effectuer tout travail d'inspection ou d'entretien.
- N'utilisez jamais d'essence, de benzine, de diluant, d'alcool ou de produit similaire. Ces produits risquent de provoquer des décolorations, des déformations ou des fissures.

Remplacement des charbons (Fig. 22)

Retirez et vérifiez les charbons régulièrement.

Remplacez-les lorsqu'ils atteignent le repère d'usure.

Gardez les charbons propres et libres de glisser dans les porte-charbons.

Les deux charbons doivent être remplacés en même temps. Utilisez uniquement des charbons identiques.

Retirez les caches de bouchon de porte-charbon en insérant le bout d'un tournevis à tête fendue dans la partie encastrée dans l'outil et en la soulevant. (Fig. 23)

Retirez les bouchons de porte-charbon à l'aide d'un tournevis.

Enlevez les charbons usés, insérez les neufs et remettez en place les bouchons de porte-charbon. (Fig. 24)

Remontez les caches de bouchon de porte-charbon sur l'outil.

Pour assurer la SÉCURITÉ et la FIABILITÉ du produit, toute réparation et tout travail d'entretien ou de réglage doivent être effectués par un Centre de service après-vente agréé Makita, avec des pièces de rechange Makita.

ACCESSOIRES FOURNIS EN OPTION

⚠ ATTENTION :

- Ces accessoires ou pièces complémentaires sont recommandés pour être utilisés avec l'outil Makita spécifié dans ce mode d'emploi. L'utilisation de tout autre accessoire ou pièce complémentaire peut comporter un risque de blessure. N'utilisez les accessoires ou pièces qu'aux fins auxquelles ils ont été conçus.

Pour obtenir plus de détails sur ces accessoires, contactez votre Centre de service local Makita.

- Forets à pointe de carbure SDS-Plus
- Pic
- Ciseau à froid
- Ciseau à écailler
- Burin à rainures
- Ensemble mandrin
- Mandrin S13

- Adaptateur de mandrin
- Clé de mandrin S13
- Graisse à foret
- Poignée latérale
- Jauge de profondeur
- Poire soufflante
- Collecteur de poussières
- Fixation d'extracteur de poussières
- Lunettes de sécurité
- Étui en plastique
- Mandrin autoserrant
- Divers types de batteries et chargeurs de marque Makita.

REMARQUE :

- Certains éléments de la liste peuvent être inclus en tant qu'accessoires standard dans le coffret de l'outil envoyé. Ils peuvent varier suivant les pays.

Bruit

ENG905-1

Les niveaux de bruit pondéré A typiques ont été mesurés selon la norme EN60745 :

Niveau de pression sonore (L_{pA}) : 87 dB (A)

Niveau de puissance sonore (L_{WA}) : 98 dB (A)

Incertitude (K) : 3 dB (A)

Portez des protections auditives.

Vibrations

ENG900-1

La valeur totale de vibration (somme du vecteur triaxial) a été déterminée selon la norme EN60745 :

Mode de fonctionnement : perçage à percussion dans le béton

Émission de vibrations ($a_{h,HD}$) : 14,5 m/s²

Incertitude (K) : 1,5 m/s²

Mode de fonctionnement : ciselage

Émission de vibrations ($a_{h,CHeq}$) : 11,0 m/s²

Incertitude (K) : 1,5 m/s²

Mode de fonctionnement : perçage du métal

Émission de vibrations ($a_{h,D}$) : 3,0 m/s²

Incertitude (K) : 1,5 m/s²

ENG901-1

- La valeur de l'émission des vibrations déclarée a été mesurée conformément à la méthode de test standard et peut être utilisée afin de comparer des outils entre eux.
- La valeur de l'émission des vibrations déclarée peut également être utilisée lors d'une évaluation préliminaire de l'exposition.

⚠ AVERTISSEMENT :

- Selon la manière dont l'outil est utilisé, il est possible que l'émission des vibrations pendant l'utilisation réelle de l'outil électrique diffère de la valeur de l'émission déclarée.
- Veillez à identifier les mesures de sécurité destinées à protéger l'opérateur et établies en fonction de l'estimation de l'exposition dans les conditions réelles d'utilisation (en prenant en compte toutes les étapes du cycle de fonctionnement, telles que les périodes de mise hors tension de l'outil, les périodes de fonctionnement au ralenti et les périodes de mise en route).

Pour les pays d'Europe uniquement ENH101-17

Déclaration de conformité CE

Makita déclare que la/les machine(s) suivante(s) :

Nom de la machine :

Marteau Combiné sans Fil

N° de modèle/Type : DHR202

sont conformes aux directives européennes

suivantes :

2006/42/CE

sont produites conformément aux normes ou documents
de normalisation suivants :

EN60745

Le dossier technique conforme à la norme 2006/42/CE
est disponible auprès de :

Makita, Jan-Baptist Vinkstraat 2, 3070, Belgique

31. 12. 2013



Yasushi Fukaya

Directeur

Makita, Jan-Baptist Vinkstraat 2, 3070, Belgique

DEUTSCH (Originalanweisungen)

Erklärung der Gesamtdarstellung

- | | | |
|--|----------------------|-------------------------------|
| 1. Roter Bereich | 12. Schlagen | 24. Tiefenanschlag |
| 2. Taste | 13. Grifffläche | 25. Staubschutzkappe |
| 3. Akkublock | 14. Zähne | 26. Ausblasvorrichtung |
| 4. Sternmarkierung | 15. Seitengriff | 27. Bohrfutteradapter |
| 5. Ein/Aus-Schalter | 16. Vorsprung | 28. Schlüsselloses Bohrfutter |
| 6. Lampe | 17. Lösen | 29. Kranz |
| 7. Umschalthebel | 18. Festziehen | 30. Ring |
| 8. Schlagbohren | 19. Bohrmeißelschaft | 31. Verschleißmarkierung |
| 9. Arretiertaste | 20. Bohrmeißelfett | 32. Abgestufter Bereich |
| 10. Drehknopf zum Wechseln der Betriebsart | 21. Bohrmeißel | 33. Halterkappenabdeckung |
| 11. Drehbohren | 22. Spannfutter | 34. Bürstenhalterkappe |
| | 23. O-Symbol | 35. Schraubendreher |

TECHNISCHE DATEN

Modell		DHR202
Leistungen	Beton	20 mm
	Stahl	13 mm
	Holz	26 mm
Leerlauf-Drehzahl (min ⁻¹)		0 - 1.200
Schläge pro Minute		0 - 4.000
Gesamtlänge		358 mm
Nettogewicht		3,5 kg
Nennspannung		18 V Gleichspannung

- Aufgrund unserer beständigen Forschungen und Weiterentwicklungen sind Änderungen an den hier angegebenen Technischen Daten ohne Vorankündigung vorbehalten.
- Die Technischen Daten und der Akkublock können in den einzelnen Ländern Abweichungen aufweisen.
- Gewicht, mit Akkublock, ermittelt gemäß EPTA-Verfahren 01/2003

Verwendungszweck ENE043-1

Das Werkzeug ist für Schlagbohren und Bohren in Ziegel, Beton und Stein sowie für Meißelarbeiten vorgesehen. Es eignet sich auch für normales Bohren in Holz, Metall, Keramik und Kunststoff.

Allgemeine Sicherheitshinweise für Elektrowerkzeuge GEA010-1

⚠️ WARNUNG Lesen Sie alle Sicherheitshinweise und Anweisungen sorgfältig durch. Wenn die Hinweise und Anweisungen nicht beachtet werden, besteht die Gefahr eines Stromschlags, Brands und/oder das Risiko von ernsthaften Verletzungen.

Bewahren Sie alle Hinweise und Anweisungen zur späteren Referenz gut auf.

SICHERHEITSHINWEISE ZUM AKKU-BOHRHAMMER GEB046-2

1. **Tragen Sie Gehörschutz!** Beständige Einwirkung von Lärm kann zu Hörverlust führen.
2. **Verwenden Sie die ggf. mit dem Werkzeug gelieferten Zusatzgriffe.** Ein Verlust der Kontrolle über das Werkzeug kann zu Verletzungen führen.

3. **Halten Sie das Werkzeug an den isolierten Griffflächen, wenn Sie unter Bedingungen arbeiten, bei denen das Schneidwerkzeug versteckte Kabel berühren kann.** Bei Kontakt des Werkzeugs mit einem stromführenden Kabel wird der Strom an die Metallteile des Elektrowerkzeugs und dadurch an den Bediener weitergeleitet, und der Bediener erleidet einen Stromschlag.
4. **Tragen Sie einen Arbeitsschutzhelm, eine Sicherheitsschutzbrille und/oder Gesichtsschutz. Gewöhnliche Brillen und Sonnenbrillen sind KEINE Sicherheitsbrillen oder Arbeitsschutzbrillen. Außerdem wird das Tragen dick gefütterter Handschuhe und einer Staubmaske empfohlen.**
5. **Überprüfen Sie vor der Inbetriebnahme, ob der Werkzeugeinsatz (Meißel usw.) gesichert ist.**
6. **Unter normalen Betriebsbedingungen erzeugt das Werkzeug Vibrationen. Hierdurch können sich Schrauben lösen, was zum Ausfall des Werkzeugs und zu Unfällen führen kann. Überprüfen Sie vor der Arbeit sorgsam den festen Sitz der Schrauben.**
7. **Lassen Sie das Werkzeug bei kaltem Wetter oder nach längerer Zeit der Nichtbenutzung eine Zeit lang ohne Last warmlaufen. Dadurch wird das Schmiermittel schmierfähig. Ohne ordnungsgemäßes Aufwärmen ist das Ausführen von Hammer- und Meißelarbeiten schwierig.**

8. Achten Sie jederzeit auf sicheren und festen Stand.
Achten Sie bei Verwendung des Werkzeugs an erhöhten Standorten darauf, dass sich keine Personen unter dem Standort aufhalten.
9. Halten Sie das Werkzeug mit beiden Händen fest.
10. Halten Sie Ihre Hände von den beweglichen Teilen fern.
11. Lassen Sie das Werkzeug nicht unbeaufsichtigt eingeschaltet. Das Werkzeug darf nur dann eingeschaltet werden, wenn es festgehalten wird.
12. Richten Sie das Werkzeug während des Betriebs nicht auf Personen in Ihrer Umgebung. Der Meißel könnte sich lösen und schwere Verletzungen verursachen.
13. Berühren Sie kurz nach dem Betrieb nicht den Meißel oder Teile in der Nähe des Meißels. Diese können extrem heiß sein und Verbrennungen verursachen.
14. Manche Materialien enthalten möglicherweise giftige Chemikalien. Vermeiden Sie das Einatmen von Staub und den Hautkontakt mit diesen Materialien. Befolgen Sie die Sicherheitshinweise des Materialherstellers.

BEWAHREN SIE DIESE ANLEITUNG SORGFÄLTIG AUF.

WARNUNG:

Lassen Sie sich NIE durch Bequemlichkeit oder (aus fortwährendem Gebrauch gewonnener) Vertrautheit mit dem Werkzeug dazu verleiten, die Sicherheitsregeln für das Werkzeug zu missachten. Bei MISSBRÄUHLICHER Verwendung des Werkzeugs oder Missachtung der in diesem Handbuch enthaltenen Sicherheitshinweise kann es zu schweren Verletzungen kommen.

WICHTIGE SICHERHEITSREGELN

ENC007-7

FÜR AKKUBLOCK

1. Lesen Sie vor der Verwendung des Akkublocks alle Anweisungen und Sicherheitshinweise für das Akkuladegerät (1), den Akku (2) und das Produkt (3), für das der Akku verwendet wird, sorgfältig durch.
2. Der Akkublock darf nicht zerlegt werden.
3. Falls die Betriebsdauer erheblich kürzer wird, beenden Sie den Betrieb umgehend. Andernfalls besteht die Gefahr einer Überhitzung sowie das Risiko möglicher Verbrennungen und sogar einer Explosion.
4. Wenn Elektrolyt in Ihre Augen gerät, waschen Sie diese mit klarem Wasser aus und suchen Sie sofort einen Arzt auf. Andernfalls können Sie Ihre Sehfähigkeit verlieren.
5. Vermeiden Sie einen Kurzschluss des Akkublocks:
 - (1) Die Kontakte dürfen nicht mit leitendem Material in Berührung kommen.
 - (2) Der Akkublock darf nicht in einem Behälter aufbewahrt werden, in dem sich andere

metallische Gegenstände wie beispielsweise Nägel, Münzen usw. befinden.

- (3) Der Akkublock darf weder Feuchtigkeit noch Regen ausgesetzt werden.
Ein Kurzschluss des Akkus kann zu hohem Kriechstrom, Überhitzung, möglichen Verbrennungen und sogar zu einer Zerstörung des Werkzeugs führen.
6. Werkzeug und Akkublock dürfen nicht an Orten aufbewahrt werden, an denen Temperaturen von 50°C oder darüber erreicht werden können.
7. Beschädigte oder verbrauchte Akkus dürfen nicht verbrannt werden. Der Akkublock kann in den Flammen explodieren.
8. Lassen Sie den Akku nicht fallen und vermeiden Sie Schläge gegen den Akku.
9. Verwenden Sie niemals einen beschädigten Akku.

BEWAHREN SIE DIESE ANLEITUNG SORGFÄLTIG AUF.

Tipps für eine maximale Nutzungsdauer von Akkus

1. Laden Sie den Akkublock auf, bevor der Akku vollständig entladen ist.
Sobald Sie eine verringerte Leistung des Werkzeugs bemerken, beenden Sie stets den Betrieb des Werkzeugs und laden Sie den Akkublock auf.
2. Ein voll aufgeladener Akkublock darf niemals erneut geladen werden.
Durch Überladungen wird die Lebensdauer des Akkus verkürzt.
3. Laden Sie den Akkublock bei einer Zimmertemperatur von 10°C bis 40°C auf. Lassen Sie einen heißen Akkublock vor dem Aufladen abkühlen.
4. Laden Sie den Akkublock aller sechs Monate auf, wenn Sie diesen für längere Zeit nicht verwenden.

FUNKTIONSBESCHREIBUNG

ACHTUNG:

- Schalten Sie das Werkzeug stets aus und entfernen Sie den Akkublock, bevor Sie Einstellungen oder eine Funktionsprüfung des Werkzeugs vornehmen.

Einsetzen und Abnehmen des Akkublocks (Abb. 1)

- Schalten Sie das Werkzeug stets aus, bevor Sie den Akkublock einsetzen oder abnehmen.
- Zum Abnehmen des Akkublocks müssen Sie die Taste auf der Vorderseite des Akkublocks schieben und gleichzeitig den Akkublock aus dem Gerät herausziehen.
- Zum Einsetzen des Akkublocks müssen Sie die Zunge des Akkublocks an der Rille im Gehäuse ausrichten und den Akkublock in die gewünschte Position schieben. Setzen Sie den Akkublock unbedingt ganz ein, bis er mit einem Klick einrastet. Wenn Sie den roten Bereich oben auf der Taste sehen können, ist der Akkublock noch nicht ordnungsgemäß eingerastet. Setzen Sie den Akkublock vollständig ein, bis der rote

Bereich nicht mehr zu sehen ist. Andernfalls kann der Akkublock versehentlich aus dem Gerät fallen und Sie oder Personen in Ihrem Umfeld verletzen.

- Wenden Sie beim Einsetzen des Akkublocks keine Gewalt an. Wenn der Akkublock nicht leicht hineingleitet, ist er nicht richtig angesetzt.

Akku-Schutzsystem (Lithium-Ionen-Akku ist mit einem Stern gekennzeichnet) (Abb. 2)

Mit einem Stern gekennzeichnete Lithium-Ionen-Akkus verfügen über ein Schutzsystem. Dieses System schaltet die Stromversorgung des Werkzeugs automatisch aus, um die Lebensdauer des Akkus zu verlängern.

Unter folgenden Bedingungen des Werkzeugs und/oder des Akkus kann das Werkzeug während des Betriebs automatisch stoppen:

- Überlastet:
Das Werkzeug wird auf eine Weise betrieben, die zu einer anormal hohen Stromaufnahme führt. Lassen Sie in dieser Situation den Ein/Aus-Schalter des Werkzeugs los und beenden Sie die Arbeiten, die zu der Überlastung des Werkzeugs geführt haben. Betätigen Sie anschließend den Ein/Aus-Schalter wieder, um das Werkzeug wieder in Betrieb zu nehmen.
Wenn das Werkzeug nicht startet, ist der Akku überhitzt. Lassen Sie in dieser Situation den Akku erst abkühlen, bevor Sie wieder den Ein/Aus-Schalter betätigen.
- Spannung des Akkus zu niedrig:
Die noch vorhandene Akkuladung ist zu niedrig, und das Werkzeug startet nicht. Entnehmen Sie in dieser Situation den Akku und laden Sie den Akku wieder auf.

Bedienung des Schalters (Abb. 3)

ACHTUNG:

- Achten Sie vor dem Einsetzen des Akkublocks in das Werkzeug darauf, dass sich der Ein/Aus-Schalter korrekt bedienen lässt und beim Loslassen in die Position „OFF“ (AUS) zurückkehrt.

Betätigen Sie zum Starten des Werkzeugs einfach den Ein/Aus-Schalter. Die Drehzahl des Werkzeugs wird durch erhöhten Druck auf den Ein/Aus-Schalter gesteigert. Lassen Sie zum Ausschalten des Werkzeugs den Ein/Aus-Schalter los.

Einschalten der Lampe (Abb. 4)

ACHTUNG:

- Schauen Sie nicht direkt in das Licht oder in die Lichtquelle.

Ziehen Sie zum Einschalten der Lampe den Auslöser. Die Lampe leuchtet so lange, wie der Auslöser gezogen wird. Das Licht erlischt automatisch nach 10 bis 15 Sekunden nach dem Loslassen des Auslösers.

HINWEIS:

- Wischen Sie Schmutz auf der Lampenlinse mit einem trockenen Tuch ab. Achten Sie darauf, die Lampenlinse nicht zu zerkratzen, da dies die Beleuchtungsstärke mindern kann.

- Verwenden Sie zum Reinigen der Lampe weder Verdünnung noch Benzin. Sie kann durch diese Lösungsmittel beschädigt werden.

Bedienung des Umschalters (Abb. 5)

Dieses Werkzeug verfügt über einen Umschalter, mit dem die Drehrichtung geändert werden kann. Für eine Drehbewegung im Uhrzeigersinn muss der Umschalthebel von der Seite A nach unten gedrückt werden und für eine Drehbewegung gegen den Uhrzeigersinn von der Seite B.


Wenn sich der Umschalthebel in der neutralen Position befindet, kann der Auslöser nicht gezogen werden.

ACHTUNG:


- Überprüfen Sie vor jedem Betrieb immer die Drehrichtung.
- Der Umschalter darf nur betätigt werden, wenn das Werkzeug ganz angehalten wurde. Wenn Sie die Drehrichtung ändern, solange das Werkzeug noch läuft, kann es beschädigt werden.
- Ist das Werkzeug nicht in Gebrauch, muss der Umschalthebel immer auf die neutrale Position gestellt werden.

Auswählen der Betriebsart


Schlagbohren (Abb. 6)

Drücken Sie für Bohrarbeiten in Beton, Mauerwerk usw. die Arretiertaste nach unten, und stellen Sie den Drehknopf zum Wechsel der Betriebsart auf das Symbol . Verwenden Sie einen Bohrmeißel mit einer Hartmetallspitze.

Drehbohren (Abb. 7)

Drücken Sie für Bohrarbeiten in Holz, Metall oder Kunststoff die Arretiertaste nach unten und stellen Sie den Drehknopf zum Wechsel der Betriebsart auf das Symbol . Verwenden Sie einen Spiral- oder Holzbohrer.

Nur Schlag (Abb. 8)

Drücken Sie zum Putzen, Abschälen oder für Abbrucharbeiten die Arretiertaste nach unten und stellen Sie den Drehknopf zum Wechsel der Betriebsart auf das Symbol . Verwenden Sie einen Punkthammer, Kaltmeißel, Verzunderungsmeißel usw.

ACHTUNG:

- Der Drehknopf zum Wechsel der Betriebsart darf nicht betätigt werden, solange das Werkzeug läuft. Andernfalls wird das Werkzeug beschädigt.
- Zur Vermeidung eines vorzeitigen Verschleißes des Mechanismus zum Wechsel der Betriebsart müssen Sie darauf achten, dass der Drehknopf zum Wechsel der Betriebsart immer ganz auf einer der drei Positionen der Betriebsart steht.

Drehmomentbegrenzung

Die Drehmomentbegrenzung schaltet sich ein, wenn eine bestimmte Drehmomentstufe erreicht ist. Der Motor wird von der Antriebswelle ausgekuppelt. In diesem Fall kommt der Bohrmeißel zum Stillstand.

ACHTUNG:

- Wenn sich die Drehmomentbegrenzung einschaltet, muss das Werkzeug sofort ausgeschaltet werden. Auf diese Weise wird ein vorzeitiger Verschleiß des Werkzeugs vermieden.

- Lochsägen können nicht mit diesem Werkzeug verwendet werden. Diese neigen dazu, sich zu verkanten oder in der Bohrung hängen zu bleiben. Dies führt zu einem übermäßigen Einsatz der Drehmomentbegrenzung.

MONTAGE

ACHTUNG:

- Schalten Sie das Werkzeug stets aus und entfernen Sie den Akkublock, bevor Sie Arbeiten am Werkzeug ausführen.

Seitengriff (Zusatzgriff) (Abb. 9)

ACHTUNG:

- Verwenden Sie stets den Seitengriff, um die Betriebssicherheit zu gewährleisten.

Montieren Sie den Seitengriff so, dass die Zähne an der Grifffläche zwischen die Vorsprünge an der Werkzeugtrommel passen. Ziehen Sie anschließend den Griff an, indem Sie ihn an der gewünschten Position im Uhrzeigersinn drehen. Da er um 360° gedreht werden kann, kann er an jeder beliebigen Stelle befestigt werden.

Bohrermeißelfett

Schmieren Sie den Schaftkopf des Bohrmeißels im Vorfeld mit etwas Bohrerfett (ca. 0,5 bis 1 g). Diese Schmierung des Bohrfutters garantiert einen reibungslosen Betrieb und eine längere Lebensdauer.

Montage und Demontage des Bohrmeißels

Reinigen Sie den Aufnahmeschaft und schmieren Sie ihn vor der Montage des Bohrmeißels mit ein wenig Fett.

(Abb. 10)

Montieren Sie den Bohrmeißel in das Werkzeug. Drehen Sie den Bohrmeißel und drücken Sie ihn hinein, bis er einrastet. (Abb. 11)


Wenn der Bohrmeißel nicht hineingedrückt werden kann, entfernen Sie ihn. Ziehen Sie das Spannfutter einige Male nach unten. Montieren Sie dann den Bohrmeißel erneut. Drehen Sie den Bohrmeißel und drücken Sie ihn hinein, bis er einrastet.

Überprüfen Sie nach der Montage stets, ob der Bohrmeißel einwandfrei sitzt, indem Sie versuchen, ihn herausziehen.

Ziehen Sie die Werkzeugverriegelung zum Entfernen des Bohrmeißels ganz nach unten und ziehen Sie den Bohrmeißel heraus. (Abb. 12)

Bohrmeißelwinkel (beim Putzen, Abschälen oder Abbruch) (Abb. 13)

Der Bohrmeißel kann im gewünschten Winkel gesichert werden. Drücken Sie zur Änderung des Bohrmeißelwinkels die Arretiertaste nach unten und stellen Sie den Drehknopf zum Wechsel der Betriebsart auf das Symbol **O**. Drehen Sie den Bohrmeißel bis zum gewünschten Winkel.

Drücken Sie die Arretiertaste nach unten und stellen Sie den Drehknopf zum Wechsel der Betriebsart auf das Symbol . Überprüfen Sie anschließend durch leichtes Drehen am Bohrmeißel, dass er fest sitzt. (Abb. 14)

Tiefenanschlag (Abb. 15)

Der Tiefenanschlag ist beim Bohren von Löchern mit einer einheitlichen Bohrtiefe hilfreich. Lösen Sie den Seitengriff und setzen Sie den Tiefenanschlag in die Öffnung am Seitengriff. Stellen Sie den Tiefenanschlag auf die gewünschte Tiefe ein und ziehen Sie den Seitengriff an.

HINWEIS:

- Der Tiefenanschlag kann nicht an der Stelle verwendet werden, an der er gegen das Getriebegehäuse schlägt.

Staubschutzkappe (Abb. 16)


Verwenden Sie bei Überkopfbohrarbeiten die Staubschutzkappe, damit kein Staub auf das Werkzeug oder Sie selbst fällt. Befestigen Sie die Staubschutzkappe wie in der Abbildung dargestellt auf dem Bohrmeißel. Die Staubschutzkappe kann für folgende Bohrmeißelgrößen verwendet werden.

	Bohrmeißeldurchmesser
Staubschutzkappe 5	6 mm bis 14,5 mm
Staubschutzkappe 9	12 mm bis 16 mm

006382

BETRIEB

Schlagbohrbetrieb (Abb. 17)

Stellen Sie den Drehknopf zum Wechsel der Betriebsart auf das Symbol .

Setzen Sie den Bohrmeißel an die gewünschte Position für die Bohrung und ziehen Sie dann den Auslöseschalter.

Üben Sie keinen übermäßigen Druck auf das Werkzeug aus. Wenn Sie nur leichten Druck ausüben, erzielen Sie die besten Ergebnisse.

Halten Sie das Werkzeug in Position und achten Sie darauf, dass es nicht von der Bohrung abrutscht.

Verstärken Sie den Druck nicht, wenn die Bohrung durch Späne oder Partikel verstopft ist. Betreiben Sie stattdessen das Werkzeug im Leerlauf und entfernen Sie dann den Bohrmeißel teilweise aus der Bohrung. Wenn Sie diesen Vorgang mehrmals wiederholen, wird die Bohrung gesäubert, und Sie können den normalen Bohrvorgang fortsetzen.

ACHTUNG:

- Beim Lochdurchschlag, wenn die Bohrung durch Späne und Partikel verstopft ist oder wenn das Werkzeug auf Verstärkungsstangen im Beton trifft, wirken enorme und abrupte Drehkräfte auf das Werkzeug bzw. den Bohrmeißel. Verwenden Sie stets den Seitengriff (Zusatzgriff) und halten Sie während der Arbeit das Werkzeug am Seitengriff und am Schaltergriff fest. Sonst können Sie die Kontrolle über das Werkzeug verlieren und sich schwer verletzen.

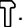
HINWEIS:

Es kann zu einer Rundlaufabweichung in der Bohrerrotation kommen, wenn das Werkzeug ohne Last betrieben wird. Während des Betriebs zentriert sich das Werkzeug automatisch. Dies hat keinen Einfluss auf die Bohrgenauigkeit.

Ausblasvorrichtung (optionales Zubehör) (Abb. 18)


Wenn Sie das Loch gebohrt haben, entfernen Sie mit Hilfe der Ausblasvorrichtung den Staub aus der Bohrung.

Putzen/Abschälen/Abbruch (Abb. 19)

Stellen Sie den Drehknopf zum Wechsel der Betriebsart auf das Symbol .

Halten Sie das Werkzeug mit beiden Händen fest. Schalten Sie das Werkzeug ein und üben Sie leichten Druck darauf aus, so dass es nicht unkontrolliert herumspringt. Ein stärkerer Druck auf das Werkzeug erhöht nicht dessen Wirkungsgrad.

Bohren in Holz oder Metall (Abb. 20 und 21)

Verwenden Sie den optionalen Bohrfuttersatz. Lesen Sie zu dessen Montage den Abschnitt „Montage und Demontage des Bohrmeißels“ auf der vorherigen Seite. Stellen Sie den Drehknopf zum Wechsel der Betriebsart so ein, dass der Zeiger auf das Symbol  zeigt.

ACHTUNG:

- Wenn der Bohrfuttersatz am Werkzeug montiert ist, dürfen Sie auf keinen Fall die Betriebsart „Schlagbohren“ verwenden. Andernfalls kann der Bohrfuttersatz beschädigt werden. Darüber hinaus kann sich das Bohrfutter bei Linkslauf des Werkzeugs lösen.
- Der Bohrvorgang kann durch übermäßigen Druck auf das Werkzeug nicht beschleunigt werden. Dieser übermäßige Druck beschädigt im Gegenteil die Spitze des Bohrmeißels, vermindert die Leistung des Werkzeugs und verkürzt dessen Lebensdauer.
- Beim Lochdurchschlag wirken enorme Drehkräfte auf das Werkzeug/den Bohrmeißel. Halten Sie das Werkzeug fest und seien Sie vorsichtig, wenn der Bohrmeißel das Werkstück durchbricht.
- Ein festsitzender Bohrmeißel kann einfach wieder herausgezogen werden, indem die Drehrichtung mit dem Umschalter geändert wird. Es kann jedoch zu einem abrupten Rückschlag des Werkzeugs kommen, wenn Sie es nicht ganz fest halten.
- Befestigen Sie kleine Werkstücke immer in einem Schraubstock oder einer ähnlichen Haltevorrichtung.

WARTUNG

ACHTUNG:

- Schalten Sie das Werkzeug stets aus und entfernen Sie den Akkublock, bevor Sie Inspektionen oder Wartungsarbeiten am Werkzeug vornehmen.
- Verwenden Sie zum Reinigen niemals Kraftstoffe, Benzin, Verdünner, Alkohol oder ähnliches. Dies kann zu Verfärbungen, Verformungen oder Rissen führen.

Ersetzen der Kohlebürsten (Abb. 22)

Entfernen und überprüfen Sie die Kohlebürsten in regelmäßigen Abständen. Ersetzen Sie diese, wenn sie bis zur Verschleißgrenze abgenutzt sind. Halten Sie die Kohlebürsten sauber und sorgen Sie dafür, dass sie locker in den Halterungen liegen.

Ersetzen Sie beide Kohlebürsten gleichzeitig. Verwenden Sie nur identische Kohlebürsten.

Entfernen Sie die Abdeckungen der Bürstenhalterkappen, indem Sie den Schlitzschraubendreher in den abgestuften Bereich des Werkzeugs setzen und anheben. (Abb. 23) Verwenden Sie einen Schraubendreher, um die Bürstenhalterkappen zu entfernen.

Entnehmen Sie die verbrauchten Kohlebürsten, legen Sie die neuen ein und bringen Sie die Bürstenhalterkappen wieder fest an. (Abb. 24)

Befestigen Sie die Abdeckungen der Bürstenhalterkappen wieder am Werkzeug.

Um die SICHERHEIT und ZUVERLÄSSIGKEIT des Produkts zu gewährleisten, sollten Reparaturen, Wartungsarbeiten und Einstellungen nur durch von Makita autorisierte Servicecenter durchgeführt und immer Makita-Ersatzteile verwendet werden.

SONDERZUBEHÖR

ACHTUNG:

- Für das in diesem Handbuch beschriebene Makita-Gerät werden die folgenden Zubehör- und Zusatzteile empfohlen. Bei Verwendung anderer Zubehör- und Zusatzteile kann es zu Verletzungen kommen. Verwenden Sie Zubehör- und Zusatzteile nur für den vorgesehenen Zweck.

Informationen zu diesem Zubehör erhalten Sie von Ihrem Makita-Servicecenter.

- SDS-Plus-Hartmetallspitzen
- Punkthammer
- Kaltmeißel
- Verzunderungsmeißel
- Nutenmeißel
- Bohrfuttersatz
- Bohrfutter S13
- Bohrfutteradapter
- Spannfutterschlüssel S13
- Bohrermeißelfett
- Seitengriff
- Tiefenanschlag
- Ausblasvorrichtung
- Staubschutzkappe
- Staubabzugsvorrichtung
- Sicherheitsschutzbrille
- Plastiktragekoffer
- Schlüsselloses Bohrfutter
- Verschiedene Arten von Makita-Originalakkus und -Ladegeräten

HINWEIS:

- Einige der in der Liste aufgeführten Elemente sind dem Werkzeugpaket als Standardzubehör beigelegt. Diese können in den einzelnen Ländern voneinander abweichen.

Schall

ENG905-1

Typischer A-bewerteter Schallpegel nach EN60745:

Schalldruckpegel (L_{pA}): 87 dB (A)

Schallleistungspegel (L_{WA}): 98 dB (A)

Abweichung (K): 3 dB (A)

Tragen Sie Gehörschutz.

Schwingung

ENG900-1

Schwingungsgesamtwerte (Vektorsumme dreier Achsen)
nach EN60745:

Arbeitsmodus: Schlagbohren in Beton
Schwingungsbelastung ($a_{h,HD}$): 14,5 m/s²
Abweichung (K): 1,5 m/s²

Arbeitsmodus: Meißeln
Schwingungsbelastung ($a_{h,CHeq}$): 11,0 m/s²
Abweichung (K): 1,5 m/s²

Arbeitsmodus: Bohren in Metall
Schwingungsbelastung ($a_{h,D}$): 3,0 m/s²
Abweichung (K): 1,5 m/s²

ENG901-1

- Der hier angegebene Wert für die erzeugten Schwingungen wurde gemäß dem genormten Testverfahren ermittelt und kann als Vergleich zu anderen Werkzeugen herangezogen werden.
- Der angegebene Wert für die erzeugten Schwingungen ist außerdem für eine vorbeugende Bewertung der Belastung zu verwenden.

WARNUNG:

- Die Schwingungsbelastung kann bei tatsächlichem Gebrauch des Elektrowerkzeugs in Abhängigkeit von der Handhabung des Elektrowerkzeugs von dem hier aufgeführten Wert abweichen.
- Stellen Sie sicher, dass Schutzmaßnahmen für den Bediener getroffen werden, die auf den unter den tatsächlichen Arbeitsbedingungen zu erwartenden Belastungen beruhen (beziehen Sie alle Bestandteile des Arbeitsablaufs ein, also zusätzlich zu den Arbeitszeiten auch Zeiten, in denen das Werkzeug ausgeschaltet ist oder ohne Last läuft).

Nur für europäische Länder

ENH101-17

EG-Konformitätserklärung

Makita erklärt, dass die nachfolgende(n) Maschine(n):

Bezeichnung der Maschine(n):

Akku-Kombi-Bohrhammer

Nummer/Typ des Modells: DHR202

**den folgenden Richtlinien der Europäischen Union
genügt/genügen:**

2006/42/EG

Sie werden gemäß den folgenden Standards oder
Normen gefertigt:

EN60745

Die technischen Unterlagen gemäß 2006/42/EG sind
erhältlich von:

Makita, Jan-Baptist Vinkstraat 2, 3070, Belgien

31. 12. 2013



Yasushi Fukaya

Direktor

Makita, Jan-Baptist Vinkstraat 2, 3070, Belgien

ITALIANO (Istruzioni originali)

Spiegazione della vista generale

- | | | |
|---|----------------------------|-----------------------------------|
| 1. Indicatore rosso | 12. Solo martellatura | 24. Calibro di profondità |
| 2. Pulsante | 13. Base dell'impugnatura | 25. Scodellino per la polvere |
| 3. Batteria | 14. Denti | 26. Soffietto a peretta |
| 4. Contrassegno a stella | 15. Impugnatura laterale | 27. Adattatore per mandrino |
| 5. Interruttore | 16. Sporgenza | 28. Mandrino trapano senza chiave |
| 6. Lampada | 17. Allentare | 29. Manicotto |
| 7. Leva di inversione della rotazione | 18. Serrare | 30. Anello |
| 8. Foratura con percussione | 19. Gambo della punta | 31. Indicatore di limite |
| 9. Pulsante di blocco | 20. Grasso per punte | 32. Parte incavata |
| 10. Manopola per la modifica della modalità di azione | 21. Punta | 33. Coperchio supporto |
| 11. Solo rotazione | 22. Coperchio del mandrino | 34. Coperchio portaspaZZola |
| | 23. Simbolo O | 35. Cacciavite |

CARATTERISTICHE TECNICHE

Modello	DHR202	
Capacità di foratura	Cemento	20 mm
	Acciaio	13 mm
	Legno	26 mm
Velocità a vuoto (min ⁻¹)	0 - 1.200	
Colpi al minuto	0 - 4.000	
Lunghezza totale	358 mm	
Peso netto	3,5 kg	
Tensione nominale	18 V CC	

- Le caratteristiche tecniche riportate di seguito sono soggette a modifiche senza preavviso in virtù del nostro programma continuo di ricerca e sviluppo.
- Le caratteristiche tecniche e le batterie possono differire da paese a paese.
- Peso, comprensivo di batterie, calcolato in base alla Procedura EPTA 01/2003

Uso previsto

ENE043-1

L'utensile è progettato per la foratura con martellamento e per la foratura di mattoni, cemento e pietre, nonché per lavori di scalpellatura.

Esso è utilizzabile anche per la foratura senza impatto del legno, del metallo, della ceramica e della plastica.

Avvertenze generali di sicurezza per l'uso dell'utensile

GEA010-1

⚠ AVVERTENZA Leggere attentamente tutte le avvertenze di sicurezza e le istruzioni. La mancata osservanza delle istruzioni e delle avvertenze riportate di seguito potrebbe provocare scosse elettriche, incendi e/o lesioni gravi.

Conservare le avvertenze e le istruzioni per riferimenti futuri.

AVVERTENZE DI SICUREZZA PER IL MARTELLO ROTATIVO A BATTERIA

GEB046-2

- Indossare protezioni acustiche.** L'esposizione al rumore può causare la perdita della capacità uditiva.
- Utilizzare le maniglie ausiliarie, se fornite con l'utensile.** La perdita di controllo può provocare lesioni personali.

- Se vengono eseguite operazioni in cui l'accessorio di taglio può toccare fili nascosti, impugnare l'utensile con i punti di presa isolati.** Se l'accessorio da taglio entra a contatto con un filo percorso da corrente, le parti metalliche esposte dell'utensile si troveranno anch'esse sotto tensione e potrebbero provocare scosse elettriche all'operatore.
- Indossare un elmetto (casco di sicurezza), occhiali di sicurezza e/o visiere protettive.** I comuni occhiali da vista o da sole NON sono occhiali di sicurezza. Si consiglia anche di indossare una maschera antipolvere e guanti imbottiti.
- Prima di azionare l'utensile, verificare che la punta sia fissata nella posizione corretta.**
- In condizioni d'uso normali, l'utensile è progettato per produrre vibrazioni. Le viti possono svitarsi facilmente, causando una rottura o un incidente.** Prima di azionare l'utensile, controllare che le viti siano serrate.
- In caso di temperature fredde oppure se l'utensile non è stato utilizzato a lungo, lasciare riscaldare l'utensile per qualche istante azionandolo senza alcun carico. In tal modo il lubrificante sarà meno viscoso e più efficace. Le operazioni di martellatura risultano più difficili senza un preriscaldamento adeguato.**
- Accertarsi sempre di avere un equilibrio stabile. Controllare che nessuno si trovi sotto all'utensile quando lo si utilizza in posizioni elevate.**

9. Tenere saldamente l'utensile con entrambe le mani.
10. Mantenere le mani lontano dalle parti in movimento.
11. Non lasciare l'utensile acceso. Azionare l'utensile solo dopo averlo impugnato.
12. Non puntare l'utensile verso persone presenti nell'area di lavoro. Un'eventuale fuoriuscita della punta potrebbe provocare lesioni gravi.
13. Non toccare la punta o le parti vicino alla punta subito dopo aver utilizzato l'utensile in quanto possono raggiungere temperature elevate e provocare ustioni.
14. Alcuni materiali contengono prodotti chimici che possono essere tossici. Evitare l'inalazione della polvere e il contatto con la pelle. Attenersi alle istruzioni per la sicurezza del fornitore dei materiali.

CONSERVARE QUESTE ISTRUZIONI.

⚠ AVVERTENZA:

NON lasciare che la familiarità acquisita con il prodotto (dovuta all'uso ripetuto) provochi l'inosservanza delle norme di sicurezza per il presente prodotto. L'USO IMPROPRIO o la mancata osservanza delle norme di sicurezza contenute in questo manuale può provocare lesioni personali gravi.

ISTRUZIONI IMPORTANTI PER LA SICUREZZA

ENC007-7

RELATIVE ALLA BATTERIA

1. Prima di utilizzare la batteria, leggere tutte le istruzioni e gli avvisi di sicurezza relativi a (1) caricabatteria, (2) batteria e (3) prodotto utilizzato con la batteria.
2. Non smontare la batteria.
3. Se il tempo di funzionamento è diventato eccessivamente breve, non utilizzare l'utensile. Potrebbero verificarsi surriscaldamenti, ustioni o esplosioni.
4. In caso di contatto dell'elettrolita della batteria con gli occhi, sciacquare con acqua fresca e rivolgersi immediatamente a un medico. Potrebbero verificarsi danni permanenti alla funzionalità visiva.
5. Non cortocircuitare la batteria:
 - (1) Non toccare i terminali della batteria con materiale in grado di condurre elettricità.
 - (2) Evitare di conservare la batteria a contatto con oggetti metallici quali chiodi, monete e così via.
 - (3) Non esporre le batterie all'acqua o alla pioggia.

Un cortocircuito può provocare un elevato flusso di corrente, surriscaldamento, ustioni o rotture.
6. Non conservare l'utensile e la batteria a una temperatura superiore a 50 °C.

7. Evitare di smaltire le batterie danneggiate o esaurite bruciandole. Se esposte al fuoco, le batterie possono esplodere.
8. Evitare di far cadere o di colpire la batteria.
9. Non utilizzare batterie danneggiate.

CONSERVARE QUESTE ISTRUZIONI.

Suggerimenti il prolungamento della durata della batteria

1. Caricare le batterie prima di scaricarle completamente.
Se si nota una diminuzione di potenza dell'utensile, interrompere il lavoro e ricaricare la batteria.
2. Non ricaricare una batteria già completamente carica.
In caso contrario, la durata operativa della batteria potrebbe ridursi.
3. Caricare la batteria in ambienti con temperatura compresa tra 10 °C e 40 °C. Prima di caricare una batteria surriscaldata, lasciarla raffreddare.
4. Caricare la batteria una volta ogni sei mesi se l'utensile rimane inutilizzato per lungo tempo.

DESCRIZIONE FUNZIONALE

ATTENZIONE:

- Prima di regolare o controllare le funzioni dell'utensile, verificare sempre di averlo spento e di aver rimosso la batteria.

Installazione o rimozione della batteria (Fig. 1)

- Prima di installare o rimuovere la batteria occorre sempre spegnere l'utensile.
- Per rimuovere la batteria è sufficiente estrarla dall'utensile facendo scorrere il pulsante nella parte anteriore della batteria.
- Per installare la batteria, allineare la linguetta sulla batteria con la scanalatura nell'alloggiamento e farla scorrere in posizione. Inserire a fondo la batteria fino a quando si blocca in posizione con uno scatto. Se è visibile l'indicatore rosso sul lato superiore del pulsante significa che la batteria non è completamente inserita. Inserirla a fondo fino a quando l'indicatore rosso non è più visibile. In caso contrario potrebbe fuoriuscire accidentalmente dall'utensile e provocare danni all'operatore o a eventuali osservatori.
- Non forzare l'inserimento della batteria. Se la batteria non scorre agevolmente significa che la manovra di inserimento non è corretta.

Sistema di protezione della batteria (batteria agli ioni di litio con contrassegno a stella) (Fig. 2)

Le batterie agli ioni di litio con contrassegno a stella sono dotate di un sistema di protezione. Questo sistema interrompe automaticamente l'alimentazione dell'utensile per prolungare la durata della batteria.

L'utensile viene spento automaticamente durante l'uso se l'utensile stesso e/o la batteria vengono utilizzati in una delle condizioni riportate di seguito:

- **Sovraccarico:**
L'utensile viene utilizzato con modalità che provocano un anomalo assorbimento di corrente. In questa situazione occorre rilasciare l'interruttore di accensione dell'utensile e interrompere l'operazione che ha provocato il sovraccarico dell'utensile stesso. Azionare di nuovo l'interruttore di accensione per riavviare l'utensile.
Se l'utensile non si avvia si è verificato un surriscaldamento della batteria. In questa situazione occorre far raffreddare la batteria prima di azionare nuovamente l'interruttore di accensione.
- **Bassa tensione della batteria:**
La capacità rimanente della batteria è troppo bassa e non consente di utilizzare l'utensile. In questo caso occorre rimuovere e ricaricare la batteria.

Azionamento dell'interruttore (Fig. 3)

ATTENZIONE:

- Prima di inserire la batteria nell'utensile, controllare se l'interruttore funziona correttamente e ritorna alla posizione "SPENTO" una volta rilasciato.
- Per avviare l'utensile è sufficiente premere l'interruttore. Per aumentare la velocità dell'utensile, aumentare la pressione sull'interruttore. Per spegnere l'utensile, rilasciare l'interruttore.

Accensione della lampada (Fig. 4)

ATTENZIONE:

- Non guardare direttamente la luce o la fonte luminosa.
- Per accendere la lampada, azionare l'interruttore. La lampada rimane accesa fino a quando si tiene premuto l'interruttore.
- La lampada si spegne automaticamente 10-15 secondi dopo aver rilasciato l'interruttore.

NOTA:

- Utilizzare un panno asciutto per pulire la lente della lampada. Fare attenzione a non graffiare la lente della lampada onde evitare riduzioni dell'intensità luminosa.
- Non usare diluenti o benzina per pulire la lampada. Tali solventi possono danneggiarla.

Azionamento della leva di inversione della rotazione (Fig. 5)

Questo utensile è dotato di una leva di inversione che consente di modificare la direzione di rotazione. Premere la leva di inversione dal lato A se si desidera una rotazione in senso orario, dal lato B se si desidera una rotazione in senso antiorario.

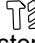
Quando la leva di inversione si trova nella posizione centrale è impossibile azionare l'interruttore.

ATTENZIONE:


- Prima di azionare l'utensile, controllare sempre la direzione di rotazione impostata.
- Utilizzare la leva di inversione solo quando l'utensile è completamente fermo. Modificare la direzione di rotazione prima dell'arresto può danneggiare l'utensile.
- Se non si utilizza l'utensile, posizionare sempre la leva di inversione nella posizione centrale.

Selezione della modalità operativa

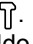
Foratura con percussione (Fig. 6)

Per la foratura di cemento, muratura, ecc., premere il pulsante di blocco e ruotare la manopola per la modifica della modalità di azione fino al simbolo . Utilizzare una punta con estremità in carburo di tungsteno.

Solo rotazione (Fig. 7)

Per la foratura del legno, del metallo o di materiali in plastica., premere il pulsante di blocco e ruotare la manopola per la modifica della modalità di azione fino al simbolo . Utilizzare una punta elicoidale o una punta per il legno.

Solo martellatura (Fig. 8)

Per operazioni di scalpellatura, scagliatura o demolizione, premere il pulsante di blocco e ruotare la manopola per la modifica della modalità di azione fino al simbolo . Utilizzare una punta gigante, uno scalpello a freddo, uno scalpello per scagliatura, ecc.

ATTENZIONE:

- Non ruotare la manopola per la modifica della modalità di azione mentre l'utensile è in funzione. L'uso in tali condizioni potrebbe danneggiare l'utensile.
- Per evitare una rapida usura del meccanismo di modifica della modalità, accettarsi che la manopola per la modifica della modalità di azione sia posizionata correttamente su una delle tre posizioni di modalità di azione.

Limitatore di coppia

Il limitatore di coppia si attiva quando viene raggiunto un certo livello di coppia. Il motore si disinnesta dall'albero motore. In tal caso, la punta smette di girare.

ATTENZIONE:

- Non appena il limitatore di coppia si attiva, spegnere immediatamente l'utensile. Ciò ne previene l'usura prematura.
- Con questo utensile non è possibile utilizzare seghe frontali a corona, poiché tendono a contrarsi o a penetrare facilmente nel foro, causando la frequente attivazione del limitatore di coppia.

MONTAGGIO

ATTENZIONE:

- Prima di eseguire qualsiasi operazione sull'utensile, verificare sempre di averlo spento e di aver rimosso la batteria.

Impugnatura laterale (maniglia ausiliaria) (Fig. 9)

ATTENZIONE:

- Utilizzare sempre l'impugnatura laterale per operare in sicurezza.

Installare l'impugnatura laterale in modo che i denti sull'impugnatura si inseriscano tra le sporgenze sul portautensili. Quindi serrare l'impugnatura ruotandola in senso orario fino alla posizione desiderata. Può ruotare a 360° per essere fissata in qualsiasi posizione.

Grasso per punta

Spalmare una piccola quantità di grasso (0,5 – 1,0 g circa) sulla testa del gambo della punta prima di cominciare il lavoro. Questa lubrificazione del mandrino ne assicura il movimento scorrevole e la lunga durata di servizio.

Installazione o rimozione della punta

Pulire il gambo della punta e applicare il grasso prima di installare la punta. (Fig. 10)

Inserire la punta nell'utensile. Ruotare la punta e spingere fino ad agganciarla. (Fig. 11)

Se non è possibile inserire la punta, rimuoverla.

Abbassare il coperchio del mandrino un paio di volte.


Quindi inserire nuovamente la punta. Ruotare la punta e spingere fino ad agganciarla.

Dopo l'installazione, verificare sempre che la punta rimanga saldamente in posizione provando ad estrarla.

Per rimuovere la punta, abbassare completamente il coperchio del mandrino ed estrarre la punta. (Fig. 12)

Angolo della punta (durante la scalpellatura, la scagliatura o la demolizione) (Fig. 13)

È possibile fissare la punta secondo l'angolo desiderato. Per modificare l'angolo della punta, premere il pulsante di blocco e ruotare la manopola per la modifica della modalità di azione fino al simbolo **O**. Ruotate la punta fino all'angolo desiderato.

Premere il pulsante di blocco e ruotare la manopola per la modifica della modalità di azione fino al simbolo . Quindi verificare che la punta rimanga saldamente in posizione ruotandola leggermente. (Fig. 14)

Calibro di profondità (Fig. 15)

Il calibro di profondità è utile per praticare fori della stessa profondità. Allentare l'impugnatura laterale e inserire il calibro di profondità nel foro dell'impugnatura stessa. Regolare il calibro di profondità in base alla profondità desiderata e serrare l'impugnatura laterale.

NOTA:

- Non è possibile utilizzare il calibro di profondità quando tocca l'alloggiamento degli ingranaggi.

Scodellino per la polvere (Fig. 16)


Utilizzare lo scodellino per la polvere per evitare che la polvere cada sull'utensile o sull'operatore quando si effettuano forature in posizioni elevate, al di sopra della testa. Attaccare lo scodellino per la polvere alla punta come mostrato nella figura. Le dimensioni delle punte a cui si possono attaccare gli scodellini per la polvere sono indicate di seguito.

	Diametro punta
Scodellino per la polvere 5	6 mm - 14,5 mm
Scodellino per la polvere 9	12 mm - 16 mm

006382

FUNZIONAMENTO

Foratura con percussione (Fig. 17)

Impostare la manopola per la modifica della modalità di azione sul simbolo .

Collocare la punta nella posizione desiderata per il foro, quindi premere l'interruttore.

Non forzare l'utensile. Una pressione lieve produce i risultati migliori.

Mantenere l'utensile in posizione e impedire che la punta fuoriesca dal foro.

Non aumentare la pressione quando il foro è ostruito da frammenti o schegge. Al contrario, azionare l'utensile alla velocità minima, quindi rimuovere parzialmente la punta dal foro. Ripetere l'operazione più volte fino a quando il foro risulta sgombro ed è possibile riprendere la foratura.

ATTENZIONE:

- Quando la foratura è al termine, quando il foro è ostruito da frammenti e schegge o quando la punta colpisce i tondini di metallo incorporati nel cemento, la punta e lo strumento sono soggetti a una forza di torsione di notevole intensità. Durante il funzionamento, tenere sempre l'utensile utilizzando sia l'impugnatura con l'interruttore sia la maniglia ausiliaria laterale. In caso contrario è possibile perdere il controllo dell'utensile e incorrere nel rischio di gravi lesioni personali.


NOTA:

Durante il funzionamento senza carico dell'utensile, si potrebbe verificare l'eccentricità nella rotazione della punta. L'utensile si centra automaticamente durante il funzionamento. Ciò non ha alcun effetto sulla precisione della foratura.

Soffietto a peretta (accessorio opzionale) (Fig. 18)

Al termine della foratura, utilizzare il soffietto a peretta per ripulire il foro dalla polvere.

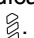
Scalpellatura/scagliatura/demolizione (Fig. 19)

Impostare la manopola per la modifica della modalità di azione sul simbolo .

Tenere saldamente l'utensile con entrambe le mani.

Accendere l'attrezzo e applicare una leggera pressione in modo da evitare contraccolpi non controllati. L'efficienza dell'utensile non aumenta se si applica una pressione molto forte.

Foratura del legno o del metallo (Fig. 20 e 21)

Utilizzare il gruppo mandrino trapano opzionale. Per eseguire l'installazione, fare riferimento a "Installazione o rimozione della punta" descritta nella pagina precedente. Impostare la manopola per la modifica della modalità di azione in modo tale che l'indicatore si trovi in corrispondenza del simbolo .

ATTENZIONE:

- Non utilizzare mai la "foratura con percussione" quando il gruppo del mandrino di perforazione è installato sull'utensile, poiché lo si può danneggiare. Inoltre, quando si inverte la rotazione dell'utensile, il mandrino di perforazione può staccarsi.
- Se si applica una pressione eccessiva sull'utensile non si accelera la foratura. Al contrario, una pressione eccessiva può danneggiare l'estremità della punta, diminuire l'efficacia dell'utensile e abbreviarne la durata operativa.

- Quando avviene lo sfondamento, l'utensile e la punta sono soggetti a una forza rotatoria molto intensa. Impugnare saldamente l'utensile e prestare particolare attenzione quando il foro è quasi completato.
- Per rimuovere una punta inceppata è sufficiente invertire il senso di rotazione dell'utensile ed azionarlo brevemente. Tuttavia, se non si impugna saldamente l'utensile, questo potrebbe arretrare improvvisamente.
- Fissare sempre i pezzi in lavorazione di piccole dimensioni utilizzando una morsa o un dispositivo simile.

MANUTENZIONE

ATTENZIONE:

- Prima di effettuare controlli oppure operazioni di manutenzione, verificare sempre di aver spento l'utensile e di aver rimosso la batteria.
- Evitare assolutamente di usare benzina, diluenti, solventi, alcol o sostanze simili. In caso contrario, potrebbero verificarsi scoloriture, deformazioni o incrinature.

Sostituzione delle spazzole di carbone (Fig. 22)

Rimuovere e controllare periodicamente le spazzole di carbone.

Sostituire le spazzole quando sono consumate fino all'indicatore di limite. Mantenere le spazzole di carbone pulite e libere di scorrere nei supporti.

Entrambe le spazzole di carbone devono essere sostituite contemporaneamente. Utilizzare solo spazzole di carbone dello stesso tipo.

Rimuovere i coperchi del supporto inserendo la punta del cacciavite nella parte incavata dell'utensile e sollevandola. (Fig. 23)

Rimuovere i coperchi dei portaspazzola con un cacciavite. Estrarre le spazzole di carbone consumate, inserire le nuove spazzole e fissare i coperchi dei portaspazzola.

(Fig. 24)

Rimontare i coperchi del supporto sull'utensile.

Al fine di garantire la SICUREZZA e l'AFFIDABILITÀ del prodotto, le riparazioni e qualsivoglia ulteriore operazione di manutenzione o regolazione devono essere eseguite dai centri di assistenza autorizzati Makita utilizzando sempre parti di ricambio Makita.

ACCESSORI OPZIONALI

⚠ ATTENZIONE:

- Si consiglia l'uso dei seguenti accessori per l'utensile Makita descritto in questo manuale. L'uso di qualsiasi altro accessorio potrebbe provocare lesioni personali. Utilizzare gli accessori esclusivamente per l'uso dichiarato.

Per l'assistenza e per ulteriori informazioni su tali accessori, rivolgersi al centro assistenza Makita di zona.

- Punta SDS Plus con estremità al carburo di tungsteno
- Punta gigante
- Scalpello a freddo
- Scalpello per scagliatura
- Scalpello per scanalature
- Gruppo mandrino trapano
- Mandrino trapano S13

- Adattatore per mandrino
- Chiave per mandrino S13
- Grasso per punte
- Impugnatura laterale
- Calibro di profondità
- Soffietto a peretta
- Scodellino per la polvere
- Accessorio estrattore polvere
- Occhiali di protezione
- Valigetta di trasporto di plastica
- Mandrino trapano senza chiave
- Diversi modelli di batterie e caricabatteria originali Makita

NOTA:

- Alcuni degli accessori elencati potrebbero essere inclusi nella confezione dell'utensile come accessori standard. Gli accessori standard possono differire da paese a paese.

Rumore

ENG905-1

Il tipico livello di rumore ponderato "A" è determinato in conformità con la norma EN60745:

Livello di pressione sonora (L_{pA}): 87 dB (A)

Livello di potenza sonora (L_{WA}): 98 dB (A)

Variazione (K): 3 dB (A)

Indossare una protezione acustica.

Vibrazione

ENG900-1

Il valore totale delle vibrazioni (somma vettoriale triassiale) è determinato in conformità con la norma EN60745:

Modalità di lavoro: foratura con martellamento del cemento

Emissione di vibrazioni ($a_{h,HD}$): 14,5 m/s²

Variazione (K): 1,5 m/s²

Modalità di lavoro: scalpellatura

Emissione di vibrazioni ($a_{h,CHeq}$): 11,0 m/s²

Variazione (K): 1,5 m/s²

Modalità di lavoro: foratura metallo

Emissione di vibrazioni ($a_{h,D}$): 3,0 m/s²

Variazione (K): 1,5 m/s²

ENG901-1

- Il valore di emissione delle vibrazioni dichiarato è stato misurato in conformità con il metodo di test standard e può essere utilizzato per confrontare tra loro diversi utensili.
- Il valore dell'emissione delle vibrazioni dichiarato può anche essere usato per stime preliminari dell'esposizione.

⚠ AVVERTENZA:

- L'emissione delle vibrazioni durante l'uso effettivo dell'utensile elettrico può risultare diversa rispetto al valore dichiarato, in base alla modalità d'uso dell'utensile.
- Assicurarsi di individuare le necessarie misure di sicurezza per proteggere l'operatore in base a una stima dell'esposizione nelle condizioni reali di utilizzo (prendendo in considerazione tutte le fasi del ciclo operativo, come quante volte l'utensile viene spento e i periodi in cui rimane inattivo, oltre al tempo di avviamento).

Solo per i paesi europei

ENH101-17

Dichiarazione di conformità CE

Makita dichiara che le macchine seguenti:

Denominazione dell'utensile:

Martello combinato a batteria

N. modello/Tipo:DHR202

sono conformi alle seguenti direttive europee:

2006/42/EC

Sono prodotte in conformità agli standard o ai documenti standardizzati riportati di seguito:

EN60745

Il documento tecnico ai sensi della Direttiva europea

2006/42/EC è disponibile presso:

Makita, Jan-Baptist Vinkstraat 2, 3070, Belgio

31. 12. 2013



Yasushi Fukaya

Direttore

Makita, Jan-Baptist Vinkstraat 2, 3070, Belgio

NEDERLANDS (Originele instructies)

Verklaring van algemene gegevens

1. Rode deel	13. Basis van de zijhandgreep	25. Stofvanger
2. Knop	14. Tandem	26. Blaasbalgje
3. Accu	15. Zijhandgreep	27. Boorkop-adapter
4. Ster-merkteken	16. Uitsteeksel	28. Sleutellose boorkop
5. Aan/uit-schakelaar	17. Losdraaien	29. Bus
6. Lamp	18. Vastzetten	30. Ring
7. Omkeerschakelaarknop	19. Boorschacht	31. Slijtgrensmarkering
8. Roteren met hameren	20. Boorvet	32. Verdiepte deel
9. Vastzetknop	21. Boor	33. Houderafdekking
10. Omschakelknop	22. Boorkopdeksel	34. Koolborsteldop
11. Alleen roteren	23. O-symbool	35. Schroevendraaier
12. Alleen hameren	24. Diepteaanslag	

TECHNISCHE GEGEVENS


Model	DHR202	
Vermogen	Beton	20 mm
	Staal	13 mm
	Hout	26 mm
Nullasttoerental (min ⁻¹)	0 - 1.200	
Aantal slagen/minuut	0 - 4.000	
Totale lengte	358 mm	
Netto gewicht	3,5 kg	
Nominale spanning	18 V gelijkstroom	

- Als gevolg van ons doorlopende onderzoeks- en ontwikkelingsprogramma, zijn de technische gegevens van dit gereedschap onderhevig aan veranderingen zonder voorafgaande kennisgeving.
- Specificaties en accu's kunnen van land tot land verschillen.
- Gewicht, inclusief de accu, volgens de EPTA-procedure 01/2003

Gebruiksdoelinden ENE043-1

Het gereedschap is bedoeld voor hamerboren en boren in baksteen, beton en steen, en tevens voor beitelwerk. Het is ook geschikt voor boren zonder slag in hout, metaal, keramisch materiaal en kunststof.

Algemene veiligheidswaarschuwingen voor elektrisch gereedschap GEA010-1

 **WAARSCHUWING** Lees alle veiligheidswaarschuwingen en alle instructies. Het niet volgen van de waarschuwingen en instructies kan leiden tot elektrische schokken, brand en/of ernstig letsel.

Bewaar alle waarschuwingen en instructies om in de toekomst te kunnen raadplegen.

VEILIGHEIDSWAARSCHUWINGEN SPECIFIEK VOOR EEN ACCUBOORHAMER GEB046-2

1. **Draag gehoorbescherming.** Blootstelling aan harde geluiden kan leiden tot gehoorbeschadiging.
2. **Gebruik de hulphandgrepen, als deze bij het gereedschap werden geleverd.** Als u de controle

over het gereedschap verliest, kan dit leiden tot persoonlijk letsel.

3. **Houd het elektrisch gereedschap vast aan het geïsoleerde oppervlak van de handgrepen wanneer u werkt op plaatsen waar het booraccessoire met verborgen bedrading in aanraking kan komen.** Wanneer het bitaccessoire in aanraking komen met onder spanning staande draden, zullen de niet-geïsoleerde metalen delen van het gereedschap onder spanning komen te staan zodat de gebruiker een elektrische schok kan krijgen.
4. **Draag een veiligheidshelm, veiligheidsbril en/of spatscherm. Een gewone bril of een zonnebril is GEEN veiligheidsbril. Het wordt tevens sterk aanbevolen een stofmasker en dik gevoerde handschoenen te dragen.**
5. **Controleer of het bit stevig op zijn plaats zit voordat u het gereedschap gebruikt.**
6. **Bij normale bediening behoort het gereedschap te trillen. De schroeven kunnen gemakkelijk losraken, waardoor een defect of ongeluk kan ontstaan. Controleer of de schroeven goed zijn aangedraaid, alvorens het gereedschap te gebruiken.**
7. **In koude weersomstandigheden of wanneer het gereedschap gedurende een lange tijd niet is gebruikt, laat u het gereedschap eerst opwarmen door het onbelast te laten werken. Hierdoor zal de**

- smering worden verbeterd. Zonder degelijk opwarmen, zal de hamerwerking moeilijk zijn.
8. **Zorg er altijd voor dat u stevig staat.**
Zorg ervoor dat er niemand zich onder u bevindt wanneer u het gereedschap op een hoge plaats gebruikt.
 9. **Houd het gereedschap met beide handen stevig vast.**
 10. **Houd uw handen uit de buurt van bewegende delen.**
 11. **Laat het gereedschap niet ingeschakeld liggen.**
Bedien het gereedschap alleen wanneer u het vasthoudt.
 12. **Richt het gereedschap niet op iemand in de buurt terwijl het is ingeschakeld.** Het bit zou eruit kunnen vliegen en iemand ernstig verwonden.
 13. **Raak het bit en onderdelen in de buurt van het bit niet onmiddellijk na gebruik aan.** Zij kunnen bijzonder heet zijn en brandwonden op uw huid veroorzaken.
 14. **Sommige materialen bevatten chemische stoffen die giftig kunnen zijn.** Neem voorzorgsmaatregelen tegen het inademen van stof en contact met de huid. Volg de veiligheidsinstructies van de leverancier van het materiaal op.

BEWAAR DEZE INSTRUCTIES.

WAARSCHUWING:

Laat u NIET misleiden door een vals gevoel van comfort en bekendheid met het gereedschap (na veelvuldig gebruik) en neem alle veiligheidsvoorschriften van het betreffende product altijd strikt in acht. VERKEERD GEBRUIK of het niet volgen van de veiligheidsinstructies in deze gebruiksaanwijzing kan leiden tot ernstig persoonlijk letsel.

BELANGRIJKE VEILIGHEIDSINSTRUCTIES ENC007-7

VOOR ACCU'S

1. Alvorens de accu in gebruik te nemen, leest u eerst alle instructies en waarschuwingsopdrachten op (1) de acculader, (2) de accu en (3) het apparaat waarin de accu wordt aangebracht.
2. **Haal de accu niet uit elkaar.**
3. **Als de gebruikstijd aanzienlijk korter is geworden, stopt u onmiddellijk met het gebruik.** Anders kan dit leiden tot kans op oververhitting, mogelijke brandwonden en zelfs een explosie.
4. **Als de elektrolyt in uw ogen komt, wast u deze uit met schoon water en raadpleegt u onmiddellijk een arts.** Dit kan leiden tot verlies van gezichtsvermogen.
5. **Sluit de accu niet kort:**
 - (1) **Raak de accupolen niet aan met enig geleidend materiaal.**
 - (2) **Bewaar de accu niet op een plaats waar deze in aanraking kan komen met andere metalen voorwerpen, zoals spijkers, munten, enz.**
 - (3) **Stel de accu niet bloot aan water of regen.** Kortsluiting van de accu kan leiden tot een hoge stroomsterkte, oververhitting, mogelijke brandwonden en zelfs een defect.
6. **Bewaar het gereedschap en de accu niet op plaatsen waar de temperatuur kan oplopen tot 50 °C of hoger.**
7. **Werp de accu niet in een vuur, zelfs niet als deze al ernstig beschadigd of helemaal versleten is.** De accu kan in een vuur exploderen.
8. **Wees voorzichtig dat u de accu niet laat vallen of ergens tegenaan stoot.**
9. **Gebruik nooit een beschadigde accu.**

BEWAAR DEZE INSTRUCTIES.

Tips voor een lange levensduur van de accu

1. **Laad de accu op voordat deze volledig leeg is.** Wanneer u merkt dat het gereedschap minder vermogen heeft, stopt u met het gebruik ervan en laadt u eerst de accu op.
2. **Laad nooit een volledig opgeladen accu op.** Te lang opladen verkort de levensduur van de accu.
3. **Laad de accu op bij een omgevingstemperatuur van 10 °C tot 40 °C.** Laat een warme accu eerst afkoelen voordat u deze oplaadt.
4. **Laad de accu ieder half jaar op als u deze gedurende een lange tijd niet gebruikt.**

BESCHRIJVING VAN DE FUNCTIES

LET OP:

- Controleer altijd of het gereedschap is uitgeschakeld en de accu is verwijderd alvorens de functies van het gereedschap te controleren of af te stellen.

De accu aanbrengen en verwijderen (zie afb. 1)

- Schakel het gereedschap altijd uit voordat u de accu aanbrengt of verwijdert.
- Om de accu te verwijderen verschuift u de knop aan de voorkant van de accu en schuift u tegelijkertijd de accu van het gereedschap af.
- Om de accu aan te brengen lijnt u de lip op de accu uit met de groef in de behuizing en duwt u de accu op zijn plaats. Steek de accu zo ver mogelijk in het gereedschap tot u een klikgeluid hoort. Als u het rode deel aan de bovenkant van de knop kunt zien, is de accuadapter niet goed aangebracht. Breng de accuadapter zo ver mogelijk aan tot het rode deel niet meer zichtbaar is. Als u dit niet doet, kan de accu per ongeluk uit het gereedschap vallen en u of anderen in uw omgeving verwonden.
- Oefen geen grote kracht uit bij het aanbrengen van de accu. Als de accu niet gemakkelijk erin kan worden geschoven, wordt deze niet goed aangebracht.

Accubeveiligingssysteem (lithiumionaccu met een ster-merkteken) (zie afb. 2)

Lithiumionaccu's met een ster-merkteken zijn uitgerust met een beveiligingssysteem. Dit systeem schakelt automatisch de voeding naar het gereedschap uit om de levensduur van de accu te verlengen.

Het gereedschap zal tijdens gebruik automatisch stoppen wanneer het gereedschap en/of de accu zich in een van de volgende omstandigheden bevinden:

- **Overbelasting:**
Het gereedschap wordt gebruikt op een manier die ertoe leidt dat een abnormaal hoge stroomsterkte uit de accu wordt getrokken.
Laat in die situatie de aan/uit-schakelaar van het gereedschap los en stop het gebruik dat ertoe leidde dat het gereedschap overbelast werd. Knijp daarna opnieuw de aan/uit-schakelaar in om het gereedschap weer in te schakelen.
Als het gereedschap niet wordt ingeschakeld, is de accu oververhit. In die situatie laat u de accu eerst afkoelen voordat u opnieuw de aan/uit-schakelaar inknipt.
- **Lage accuspanning:**
De resterende acculading is te laag en het gereedschap wordt niet ingeschakeld. Verwijder in die situatie de accu en laad hem op.

In- en uitschakelen (zie afb. 3)

LET OP:

- Controleer altijd, voordat u de accu in het gereedschap steekt, of de aan/uit-schakelaar op de juiste manier schakelt en weer terugkeert naar de uit-stand nadat deze is losgelaten.

Om het gereedschap in te schakelen, knijpt u gewoon de aan/uit-schakelaar in. De draaisnelheid van het gereedschap neemt toe naarmate u meer druk uitoefent op de aan/uit-schakelaar. Laat de aan/uit-schakelaar los om het gereedschap te stoppen

De lamp inschakelen (zie afb. 4)

LET OP:

- Kijk niet rechtstreeks in het licht of naar de bron van de lamp.

Knijp de aan/uit-schakelaar in om de lamp op de voorkant in te schakelen. De lamp blijft branden zolang u de aan/uit-schakelaar ingeknepen houdt.

De lamp gaat 10 tot 15 seconden nadat de aan/uit-schakelaar is losgelaten automatisch uit.

OPMERKING:

- Gebruik een doek om het vuil van de lens van de lamp te vegen. Wees voorzichtig dat u de lens van de lamp niet bekrast om de lichtopbrengst niet te verlagen.
- Maak de lens van de lamp niet schoon met verdunner of benzine. Dergelijke oplosmiddelen kunnen de lens van de lamp beschadigen.

Werking van de omkeerschakelaar (zie afb. 5)

Dit gereedschap is uitgerust met een omkeerschakelaar waarmee u de draairichting kunt omkeren. Druk op de omkeerschakelaar vanaf kant A voor de draairichting rechtsom, of vanaf kant B voor de draairichting linksom.


Wanneer de omkeerschakelaar in de middenstand staat, kunt u de aan/uit-schakelaar niet inknippen.

LET OP:


- Controleer altijd de draairichting alvorens het gereedschap te gebruiken.
- Gebruik de omkeerschakelaar alleen nadat het gereedschap volledig tot stilstand is gekomen. Als u de draairichting verandert voordat het gereedschap volledig stilstaat, kan het gereedschap worden beschadigd.
- Als u het gereedschap niet gebruikt, zet u de omkeerschakelaar altijd in de middenstand.

De werkingsfunctie selecteren


Roteren met hameren (zie afb. 6)

Voor het boren in beton, metselwerk, enz., drukt u de vastzetknop in en draait u de omschakelknop naar het  symbool. Gebruik een boor met een hardmetalen punt.

Alleen roteren (zie afb. 7)

Voor het boren in hout, metaal of kunststofmaterialen, drukt u de vastzetknop in en draait u de omschakelknop naar het  symbool. Gebruik een spiraalboor of houtboor.

Alleen hameren (zie afb. 8)

Voor het beitelen, bikken of sloopwerkzaamheden, drukt u de vastzetknop in en draait u de omschakelknop naar het  symbool. Gebruik een rond boor, koudbeitel, bikbeitel, enz.

LET OP:

- Draai de omschakelknop niet terwijl het gereedschap draait. Het gereedschap zal hierdoor worden beschadigd.
- Om snelle slijtage van het omschakelmechanisme te voorkomen, zorgt u ervoor dat de omschakelknop altijd precies in een van de drie standen staat.

Koppelbegrenzer

De koppelbegrenzer treedt in werking wanneer de motor een bepaald koppel bereikt. De motor wordt dan ontkoppeld van de uitgangsas. Wanneer dit gebeurt, zal de boor ophouden met draaien.

LET OP:

- Schakel het gereedschap onmiddellijk uit wanneer de koppelbegrenzer in werking treedt. Hiermee helpt u vroegtijdige slijtage van het gereedschap voorkomen.
- Gatenzagen kunnen met dit gereedschap niet worden gebruikt. Deze lopen of klemmen gemakkelijk vast in het boorgat. De koppelbegrenzer treedt hierdoor te vaak in werking.

ONDERDELEN AANBRENGEN/ VERWIJDEREN

LET OP:

- Controleer altijd of het gereedschap is uitgeschakeld en de accu is verwijderd alvorens enige werkzaamheden aan het gereedschap te verrichten.

Zijhandgreep (hulphandgreep) (zie afb. 9)

LET OP:

- Gebruik altijd de zijhandgreep om veilig te kunnen werken.

Plaats de zijhandgreep zodanig over de kop van het gereedschap dat de tanden van de zijhandgreep in de uitsteeksels van het gereedschap passen. Draai daarna de zijhandgreep vast door deze in de gewenste stand rechtsom te draaien. De zijhandgreep kan 360° rond het gereedschap gedraaid worden en in iedere gewenste stand worden vastgezet.

Boorvet

Voordat u de boor aanbrengt, smeert u een beetje vet (ca. 0,5 tot 1,00 gram) op de kop van de boorschacht. Met een ingevette boorkop zal het gereedschap beter werken en langer meegaan.

Aanbrengen en verwijderen van de boor

Reinig de boorschacht en smeer er boorvet op alvorens de boor te installeren. (zie afb. 10)

Steek de boor in het gereedschap. Draai de boor en duw deze naar binnen tot zij vergrendelt. (zie afb. 11)

Als de boor niet naar binnen kan worden geduwd, haalt u de boor eruit. Trek het boorkopdeksel enkel keren omlaag. Steek de boor daarna opnieuw naar binnen.

Draai de boor en duw deze naar binnen tot zij vergrendelt. Controleer na het aanbrengen altijd of het bit stevig in het gereedschap is bevestigd door te proberen het eruit te trekken.

Om de bit te verwijderen, trekt u de verwisselring helemaal omlaag en vervolgens de bit eruit. (zie afb. 12)

Beitelhoek (bij beitelten, bikken of slopen) (zie afb. 13)

De beitel kan onder de gewenste hoek worden vastgezet. Om de beitelhoek te veranderen, drukt u de vastzetknop in en draait u de omschakelknop naar het **O** symbool.

Draai de beitel naar de gewenste hoek.

Druk de vastzetknop in en draai de omschakelknop naar het **T** symbool. Controleer daarna of de bit stevig op zijn plaats vastzit door deze iets te verdraaien. (zie afb. 14)

Diepteanslag (zie afb. 15)

De diepteanslag is handig voor het boren van gaten van gelijke diepte. Maak de zijhandgreep los en steek de diepteanslag in het gat in de zijhandgreep. Stel de diepteanslag af op de gewenste diepte en zet de zijhandgreep vast.

OPMERKING:

- De diepteanslag kan niet worden gebruikt in de positie waarbij deze tegen het tandwielhuis aanstoot.

Stofvanger (zie afb. 16)

Gebruik de stofvanger om te voorkomen dat stof op het gereedschap en op uzelf terecht komt wanneer u boven uw hoofd boort. Bevestig de stofvanger aan de boor zoals aangegeven in de afbeelding. De diameter van de boren waaraan de stofvanger kan worden bevestigd is als volgt.

	Boordiameter
Stofvanger 5	6 mm t/m 14,5 mm
Stofvanger 9	12 mm t/m 16 mm

006382

BEDIENING

Gebruik als hamerboor (zie afb. 17)

Draai de omschakelknop naar het **T** symbool.

Plaats de punt van de boor op de gewenste plaats waar geboord moet worden en trek vervolgens de schakelaar in.

Forceer het gereedschap niet. Een lichte druk geeft de beste resultaten.

Houd het gereedschap stevig vast en zorg dat het niet uitglijdt.

Oefen geen grotere druk uit wanneer het boorgat verstopt raakt met schilfertjes of metaaldeeltjes. Laat in zo'n geval het gereedschap langzaam lopen en verwijder de boor gedeeltelijk uit het boorgat. Wanneer dit verschillende keren wordt herhaald, zal het boorgat schoon worden en kunt u normaal verder boren.

LET OP:

- Op het moment dat het boorgat doorbreekt, het boorgat verstopt raakt met schilfertjes of metaaldeeltjes, of de boorhamer de bewapening in het beton raakt, wordt een enorme kracht uitgeoefend op het gereedschap/de boor. Gebruik altijd de zijhandgreep (hulphandgreep) en houd het gereedschap tijdens gebruik stevig vast aan zowel de zijhandgreep als de hoofdhandgreep. Als u dit niet doet, kan u de controle over het gereedschap verliezen en mogelijk ernstig letsel veroorzaken.

OPMERKING:

Terwijl het gereedschap onbelast wordt gebruikt, kan de boor excentrisch draaien. Het gereedschap centreert zichzelf automatisch tijdens het gebruik. Dit heeft geen nadelige invloed op de nauwkeurigheid van het boren.

Luchtblazer (los verkrijgbaar) (zie afb. 18)

Gebruik na het boren het blaasbalgje om het stof uit het boorgat te blazen.

Beitelten, bikken en slopen (zie afb. 19)

Draai de omschakelknop naar het **T** symbool.

Houd het gereedschap met beide handen stevig vast. Schakel het gereedschap in en oefen er enige kracht op uit zodat het gereedschap niet oncontroleerbaar in het rond springt. Het gereedschap werkt niet efficiënter als u grote druk op het gereedschap uitoefent.

Boren in hout of metaal (zie afb. 20 en 21)

Gebruik de los verkrijgbare boorkopmontage. Om deze te installeren, zie "Aanbrengen en verwijderen van de boor" op de vorige pagina.

Draai de omschakelknop zodanig dat de aanwijspunt naar het **S** symbool wijst.

LET OP:

- Gebruik nooit "Roteren met hameren" wanneer de boorkopmontage op het gereedschap is gemonteerd. De boorkopmontage kan hierdoor beschadigd raken. Bovendien zal de boorkop loskomen wanneer de draairichting van het gereedschap wordt omgekeerd.
- Het boren zal niet sneller verlopen als u hard op het gereedschap drukt. In feite zal dergelijk duwen alleen maar leiden tot beschadiging van de boor, verlagen van de prestaties van het gereedschap, en verkorten van de levensduur van het gereedschap.

- Op het moment dat het boorgat doorbreekt wordt een enorme draaikracht uitgeoefend op het gereedschap/ de boor. Houd het gereedschap stevig vast en let goed op wanneer het bit door het werkstuk breekt.
- Een vastgelopen boor kan eenvoudigweg worden verwijderd door de omkeerschakelknop in de stand voor achteruitdraaien te zetten om de boor te verwijderen. Het gereedschap kan echter plotseling achteruit komen als u het niet stevig vasthoudt.
- Zet kleine werkstukken altijd vast in een bankschroef of soortgelijk bevestigingsmiddel.

ONDERHOUD

LET OP:

- Zorg er altijd voor dat de machine is uitgeschakeld en de accu is verwijderd, voordat u een inspectie of onderhoud uitvoert.
- Gebruik nooit benzine, wasbenzine, thinner, alcohol, enz. Dit kan leiden tot verkleuren, vervormen of barsten.

De koolborstels vervangen (zie afb. 22)

Verwijder en controleer de koolborstels regelmatig. Vervang deze wanneer ze tot aan de slijtgrensmarkering zijn afgesleten. Houd de koolborstels schoon en zorg ervoor dat ze vrij kunnen bewegen in de houders. Beide koolborstels dienen tegelijkertijd te worden vervangen. Gebruik alleen identieke koolborstels. Verwijder de houderafdekking door een platkopschroevendraaier in de inkeping in het gereedschap te steken en deze omhoog te wippen. (zie afb. 23)

Gebruik een schroevendraaier om de koolborsteldoppen te verwijderen.

Haal de versleten koolborstels eruit, plaats de nieuwe erin, en zet de koolborsteldoppen goed vast. (zie afb. 24) Plaats de houderafdekkingen terug op het gereedschap. Om de VEILIGHEID en BETROUWBAARHEID van het gereedschap te handhaven, dienen alle reparaties, onderhoud en afstellingen te worden uitgevoerd door een erkend Makita-servicecentrum, en altijd met gebruikmaking van originele Makita- vervangingsonderdelen.

VERKRIJGBARE ACCESSOIRES

⚠ LET OP:

- Deze accessoires of hulpstukken worden aanbevolen voor gebruik met het Makita-gereedschap dat in deze gebruiksaanwijzing wordt beschreven. Het gebruik van andere accessoires of hulpstukken kan gevaar voor persoonlijk letsel opleveren. Gebruik de accessoires of hulpstukken uitsluitend voor de aangegeven gebruiksdoeleinden.

Mocht u meer informatie willen hebben over deze accessoires, dan kunt u contact opnemen met uw plaatselijke Makita-servicecentrum.

- SDS-Plus boren met een hardmetalen punt
- Ronde boor
- Koudbeitel
- Bikbeitel
- Groefbeitel
- Boorkopmontage

- Boorkop S13
- Boorkop-adapter
- Boorkopsleutel S13
- Boorvet
- Zijhandgreep
- Diepteaanslag
- Blaasbalgje
- Stofvanger
- Hulpstuk voor stofafscheiding
- Veiligheidsbril
- Kunststoffen draagdoos
- Sleutellose boorkop
- Diverse types originele Makita-accu's en acculaders

OPMERKING:

- Sommige items op de lijst kunnen zijn inbegrepen in de doos van het gereedschap als standaard toebehoren. Zij kunnen van land tot land verschillen.

Geluid

ENG905-1

De typische, A-gewogen geluidsniveaus zijn gemeten volgens EN60745:

- Geluidsdrukniveau (L_{pA}): 87 dB (A)
- Geluidsvermogeniveau (L_{WA}): 98 dB (A)
- Onzekerheid (K): 3 dB (A)

Draag gehoorbescherming.

Trillingen

ENG900-1

De totale trillingswaarde (triaxiale vectorsom) zoals vastgesteld volgens EN60745:

- Gebruikstoepassing: hamerboren in beton
- Trillingsemissie ($a_{h, HD}$): 14,5 m/s²
- Onzekerheid (K): 1,5 m/s²

- Gebruikstoepassing: beitelen
- Trillingsemissie ($a_{h, Cheq}$): 11,0 m/s²
- Onzekerheid (K): 1,5 m/s²

- Gebruikstoepassing: boren in metaal
- Trillingsemissie ($a_{h, D}$): 3,0 m/s²
- Onzekerheid (K): 1,5 m/s²

ENG901-1

- De opgegeven trillingsemissiewaarde is gemeten volgens de standaardtestmethode en kan worden gebruikt om dit gereedschap te vergelijken met andere gereedschappen.
- De opgegeven trillingsemissiewaarde kan ook worden gebruikt voor een beoordeling vooraf van de blootstelling.

⚠ WAARSCHUWING:

- De trillingsemissie tijdens het gebruik van het elektrisch gereedschap in de praktijk kan verschillen van de opgegeven trillingsemissiewaarde afhankelijk van de manier waarop het gereedschap wordt gebruikt.
- Zorg ervoor dat veiligheidsmaatregelen worden getroffen ter bescherming van de operator die zijn gebaseerd op een schatting van de blootstelling onder praktijkomstandigheden (rekening houdend met alle fasen van de bedrijfscyclus, zoals de tijdsduur gedurende welke het gereedschap is uitgeschakeld en stationair draait, naast de ingeschakelde tijdsduur).

Alleen voor Europese landen
EU-verklaring van conformiteit

ENH101-17

Makita verklaart dat de volgende machine(s):

Aanduiding van de machine:

Accucombinatiehamer

Modelnr./Type: DHR202

Voldoen aan de volgende Europese richtlijnen:

2006/42/EG

Deze zijn gefabriceerd in overeenstemming met de volgende normen of genormaliseerde documenten:

EN60745

Het technische bestand volgens 2006/42/EG is verkrijgbaar bij:

Makita, Jan-Baptist Vinkstraat 2, 3070, België

31. 12. 2013



Yasushi Fukaya
Directeur

Makita, Jan-Baptist Vinkstraat 2, 3070, België

ESPAÑOL (Instrucciones originales)

Explicación de los dibujos

- | | | |
|---|----------------------------|---|
| 1. Indicador rojo | 12. Sólo percusión | 25. Tapa contra el polvo |
| 2. Botón | 13. Base de la empuñadura | 26. Bulbo de extracción |
| 3. Cartucho de la batería | 14. Dientes | 27. Adaptador de mandril |
| 4. Marca de estrella | 15. Empuñadura lateral | 28. Mandril automático |
| 5. Interruptor disparador | 16. Saliente | 29. Camisa |
| 6. Lámpara | 17. Aflojar | 30. Anillo |
| 7. Palanca del interruptor de inversión | 18. Apretar | 31. Marca de límite |
| 8. Giro con percusión | 19. Espiga de la broca | 32. Parte cóncava |
| 9. Botón de bloqueo | 20. Grasa para brocas | 33. Cubierta de la tapa del portaherramientas |
| 10. Pomo de cambio de modo de acción | 21. Broca | 34. Tapa del portaescobillas |
| 11. Sólo giro | 22. Cubierta del mandril | 35. Destornillador |
| | 23. Símbolo O | |
| | 24. Calibre de profundidad | |

ESPECIFICACIONES

Modelo	DHR202	
Capacidades	Hormigón	20 mm
	Acero	13 mm
	Madera	26 mm
Velocidad en vacío (mín ⁻¹)	0 - 1.200	
Golpes por minuto	0 - 4.000	
Longitud total	358 mm	
Peso neto	3,5 kg	
Tensión nominal	CC de 18 V	

- Debido a nuestro programa continuo de investigación y desarrollo, las especificaciones aquí descritas están sujetas a cambios sin previo aviso.
- Las especificaciones y el cartucho de la batería pueden variar de un país a otro.
- Peso, con el cartucho de la batería, de acuerdo con el procedimiento EPTA 01/2003

Uso previsto

ENE043-1

Esta herramienta está diseñada para perforar con percusión y taladrar ladrillo, hormigón y piedra, así como para trabajos de cincelado.

También es apropiada para taladrar sin impactos en madera, metal, cerámica y plástico.

Advertencias de seguridad generales para herramientas eléctricas

GEA010-1

⚠ ADVERTENCIA Lea todas las advertencias de seguridad y todas las instrucciones. La no observancia de las advertencias y las instrucciones puede provocar descargas eléctricas, incendios y/o lesiones graves.

Guarde todas las advertencias e instrucciones para futuras consultas.

ADVERTENCIAS DE SEGURIDAD DEL MARTILLO ROTATIVO INALÁMBRICO

GEB046-2

1. **Utilice protectores para los oídos.** La exposición al ruido puede producir pérdida auditiva.

2. Utilice las empuñaduras auxiliares

proporcionadas con la herramienta. La pérdida de control puede ocasionar daños corporales.

3. Sujete la herramienta por las superficies de agarre aisladas al realizar una operación en que el accesorio de corte pueda entrar en contacto con cables ocultos.

Si entra en contacto con un cable con corriente, puede que las piezas metálicas expuestas de la herramienta eléctrica se carguen también de corriente y que el operario reciba una descarga.

4. Póngase un casco de seguridad, gafas de seguridad y/o una careta protectora. Las gafas normales o de sol NO son gafas de seguridad. También se recomienda encarecidamente que utilice una mascarilla antipolvo y guantes gruesos acolchados.

5. Asegúrese de que la broca esté firmemente sujeta en su lugar antes del uso.

6. En condiciones normales de funcionamiento, la herramienta está diseñada para producir vibraciones. Los tornillos pueden aflojarse fácilmente, con lo cual se puede averiar la herramienta o puede producirse un accidente. Compruebe que los tornillos estén bien apretados antes del uso.

7. Si hace frío o la herramienta no se ha utilizado durante un período prolongado, deje que se

- caliente la herramienta poniéndola en marcha en vacío. De este modo se facilitará la lubricación. Si no se calienta adecuadamente, se dificultará el martilleo.
8. Colóquese siempre en una posición bien equilibrada.
Si utiliza la herramienta en una ubicación elevada, asegúrese de que nadie se encuentre debajo.
 9. Sujete firmemente la herramienta con ambas manos.
 10. Mantenga las manos alejadas de las piezas móviles.
 11. No deje la herramienta encendida. Póngala en marcha solamente cuando la tenga en las manos.
 12. No apunte la herramienta hacia ninguna persona que se encuentre en la zona durante su uso. La broca podría salir disparada y herir gravemente a alguien.
 13. No toque la broca ni las piezas cercanas a ésta inmediatamente después de que hayan estado en funcionamiento; pueden estar extremadamente calientes y producir quemaduras en la piel.
 14. Algunos materiales contienen sustancias químicas que pueden ser tóxicas. Procure evitar la inhalación de polvo y el contacto con la piel. Siga los datos de seguridad del proveedor del material.

GUARDE ESTAS INSTRUCCIONES.

ADVERTENCIA:

NO deje que la comodidad o la familiaridad con el producto (a base de utilizarlo repetidamente) sustituya la estricta observancia de las normas de seguridad del producto en cuestión. El MAL USO o la no observancia de las normas de seguridad expuestas en este manual de instrucciones pueden ocasionar graves daños corporales.

INSTRUCCIONES DE SEGURIDAD IMPORTANTES

ENC007-7

PARA EL CARTUCHO DE LA BATERÍA

1. Antes de utilizar el cartucho de la batería, lea todas las instrucciones y referencias de precaución que se encuentran en (1) el cargador de baterías, (2) la batería y (3) el producto que utiliza la batería.
2. No desmonte el cartucho de la batería.
3. Si el tiempo de funcionamiento es excesivamente corto, deje de utilizar la herramienta de inmediato. De lo contrario, existe el riesgo de sobrecalentamiento, quemaduras e incluso explosión.
4. Si se produce contacto ocular con electrolito, enjuáguese los ojos con agua limpia y acuda de urgencia al médico. Corre el riesgo de perder la visión.
5. No cortocircuite el cartucho de la batería:
 - (1) No toque los terminales con material conductor.

- (2) Evite guardar el cartucho de la batería en un recipiente con otros objetos metálicos, como clavos, monedas, etc.
- (3) No exponga el cartucho de la batería al agua o a la lluvia.

Un cortocircuito puede provocar un elevado flujo de corriente, sobrecalentamiento, quemaduras o incluso una avería.

6. No almacene la herramienta ni el cartucho de la batería en lugares donde la temperatura supere los 50°C (122°F).
7. No queme el cartucho de la batería aunque esté gravemente dañado o completamente gastado. El cartucho de la batería puede explotar si entra en contacto con fuego.
8. Procure que la batería no sufra golpes ni caídas.
9. No utilice una batería dañada.

GUARDE ESTAS INSTRUCCIONES.

Consejos para conseguir una mayor duración de la batería

1. Cargue la batería antes de que se descargue por completo.
Cuando observe que la herramienta tiene menos potencia, deje de utilizarla y cargue el cartucho de la batería.
2. No recargue nunca un cartucho de batería completamente cargado.
La sobrecarga acorta la vida útil de la batería.
3. Cargue el cartucho de la batería a una temperatura ambiente que oscile entre 10°C y 40°C (50°F - 104°F). Antes de cargar un cartucho de batería caliente, deje que se enfríe.
4. Cargue la batería una vez cada seis meses si no la utiliza durante un período de tiempo prolongado.

DESCRIPCIÓN DEL FUNCIONAMIENTO

PRECAUCIÓN:

- Asegúrese siempre de apagar la herramienta y extraer el cartucho de la batería antes de intentar realizar cualquier tipo de ajuste o comprobación en ella.

Instalación o extracción del cartucho de la batería (Fig. 1)

- Apague siempre la herramienta antes de instalar o extraer el cartucho de la batería.
- Para quitar el cartucho de la batería, mantenga pulsado el botón de la parte frontal del cartucho y retírelo.
- Para instalar el cartucho de la batería, alinee la lengüeta situada en el cartucho de la batería con la ranura del alojamiento e insértela. Insértela siempre completamente hasta que quede firmemente sujeta y se bloquee con un clic. Si puede ver el indicador rojo de la zona superior del botón, significa que el cartucho no está completamente bloqueado. Instálelo completamente hasta que el indicador rojo quede oculto. De lo contrario, el cartucho puede desprenderse accidentalmente de la herramienta y

causar lesiones al operario o a alguna persona que se encuentre cerca.

- No haga fuerza al instalar el cartucho de la batería. Si no se inserta suavemente, significa que no lo está instalando correctamente.

Sistema de protección de la batería (batería de iones de litio con una marca de estrella) (Fig. 2)

Las baterías de iones de litio con una marca de estrella están equipadas con un sistema de protección. Este sistema corta automáticamente la alimentación a la herramienta para ampliar la duración de la batería. La herramienta se detendrá automáticamente durante el funcionamiento si la herramienta y/o la batería se someten a los siguientes estados.

- Sobrecarga:
La herramienta se utiliza de una forma que hace que consuma una cantidad anómalamente alta de corriente.
En ese caso, suelte el interruptor disparador de la herramienta y detenga la aplicación que provocaba que la herramienta se sobrecargara. A continuación vuelva a accionar el interruptor disparador para reanudar las operaciones.
Si la herramienta no se pone en marcha, la batería se sobrecalienta. En ese caso, deje que la batería se enfríe antes de volver a accionar el interruptor disparador.
- Tensión de la batería baja:
La capacidad restante de la batería es demasiado baja y la herramienta no funcionará. En ese caso, extraiga y recargue la batería.

Funcionamiento del interruptor (Fig. 3)

PRECAUCIÓN:

- Antes de insertar el cartucho de la batería en la herramienta, asegúrese siempre de que el interruptor disparador funciona como es debido y que vuelve a la posición "OFF" (apagado) al soltarlo.

Para poner en marcha la herramienta, simplemente accione el interruptor disparador. La velocidad de la herramienta aumenta al incrementar la presión sobre el interruptor disparador. Suelte el interruptor disparador para detener la herramienta.

Encendido de la lámpara (Fig. 4)

PRECAUCIÓN:

- No mire hacia la luz ni mire directamente hacia la fuente de luz.

Tire del interruptor disparador para encender la luz. La luz permanece encendida mientras se acciona el interruptor disparador.

La luz se apaga automáticamente entre 10 y 15 segundos después de soltar el interruptor disparador.

NOTA:

- Utilice un paño seco para limpiar la suciedad del cristal de la lámpara. Procure no rayar el cristal de la lámpara, puesto que puede disminuir el grado de iluminación.
- No utilice disolventes ni gasolina para limpiar la lámpara. Estos productos pueden dañarla.

Funcionamiento del interruptor de inversión (Fig. 5)

Esta herramienta está provista de un interruptor de inversión para cambiar la dirección de giro. Apriete la palanca del interruptor de inversión por el lado A para obtener un giro a la derecha o por el lado B para girar a la izquierda.

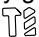
Cuando la palanca del interruptor de inversión está en la posición neutral, el interruptor disparador no se puede accionar.

PRECAUCIÓN:


- Antes de trabajar, compruebe siempre la dirección del giro.
- Utilice el interruptor de inversión sólo cuando la herramienta se haya detenido por completo, ya que, de lo contrario, la herramienta podría averiarse.
- Cuando no utilice la herramienta, coloque siempre la palanca del interruptor de inversión en la posición neutral.

Selección del modo de acción

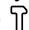
Giro con percusión (Fig. 6)

Para taladrar hormigón, ladrillo, etc. apriete el botón de bloqueo y gire el pomo de cambio de modo de acción al símbolo . Utilice una broca con punta de carburo de tungsteno.

Sólo giro (Fig. 7)

Para taladrar hormigón, metal o materiales plásticos, apriete el botón de bloqueo y gire el pomo de cambio de modo de acción al símbolo . Utilice una broca helicoidal o de madera.

Sólo percusión (Fig. 8)

Para trabajos de cincelado, desincrustación o demolición, apriete el botón de bloqueo y gire el pomo de cambio de modo de acción al símbolo . Utilice un puntero, un cortafriío, un cincel de desincrustación, etc.

PRECAUCIÓN:

- No gire el pomo de cambio del modo de acción mientras la herramienta está en funcionamiento, ya que, de lo contrario, la herramienta se averiará.
- Para evitar el desgaste prematuro del mecanismo de cambio de modo, asegúrese siempre de que el pomo de cambio del modo de acción queda bien colocado en una de las tres posiciones de modo de acción.

Limitador de par de apriete

El limitador de par de apriete entra en acción cuando se alcanza un cierto nivel de par. El motor se desacoplará del eje de salida. Cuando esto suceda, la broca dejará de girar.

PRECAUCIÓN:

- Desconecte la herramienta tan pronto como actúe el limitador de par de apriete. Ello evitará que la herramienta se desgaste prematuramente.
- Esta herramienta no admite sierras perforadoras, ya que tienden a mellarse y quedar atrapadas en el agujero con facilidad. Ello provocará que el limitador de par de apriete actúe con demasiada frecuencia.

MONTAJE

PRECAUCIÓN:

- Asegúrese siempre de apagar la herramienta y extraer el cartucho de la batería antes de intentar realizar cualquier tipo de operación en la herramienta.

Empuñadura lateral (empuñadura auxiliar) (Fig. 9)

PRECAUCIÓN:

- Utilice siempre la empuñadura lateral para garantizar un uso seguro.

Instale la empuñadura lateral de forma que los dientes de la base de la empuñadura encajen entre los salientes del portaherramientas. A continuación, apriete la empuñadura girándola hacia la derecha hasta la posición requerida. Se puede girar 360° y se puede fijar en cualquier posición.

Grasa para brocas

En primer lugar, aplique una pequeña cantidad de grasa para brocas (aprox. 0,5 - 1 g) a la cabeza de la espiga de la broca. De este modo se lubrica el mandril, hecho que alarga su vida útil y suaviza su operación.

Instalación o extracción de la broca

Limpie la espiga de la broca y engrásela antes de montarla. (Fig. 10)

Introduzca la broca en la herramienta. Gírela y empújela hasta que se enclave. (Fig. 11)

Si la broca no entra, extráigala. Desplace la cubierta del mandril un par de veces hacia abajo. Vuelva a introducir la broca. Gírela y empújela hasta que se enclave.

Después de la instalación, asegúrese siempre de que la broca esté bien sujeta en su lugar; para ello, intente sacarla.

Para extraer la broca, desplace la cubierta del mandril la máximo hacia abajo y tire de la broca hacia fuera.

(Fig. 12)

Ángulo de la broca (cincelado, desincrustación o demolición) (Fig. 13)

La broca puede fijarse en cualquier ángulo. Para cambiarlo, apriete el botón de bloqueo y coloque el pomo de cambio del modo de acción en el símbolo **O**. Gire la broca al ángulo requerido.

Apriete el botón de bloqueo y coloque el pomo de cambio del modo de acción en el símbolo **T**. Compruebe que la broca ha quedado bien sujeta; para ello, gírela ligeramente. (Fig. 14)

Calibre de profundidad (Fig. 15)

El calibre de profundidad es muy útil para realizar agujeros de profundidad uniforme. Afloje la empuñadura lateral e introduzca el calibre de profundidad en el agujero de la empuñadura. Ajuste el calibre a la profundidad deseada y apriete la empuñadura lateral.

NOTA:

- No se puede usar el calibre de profundidad en la posición en la que golpea contra el alojamiento del engranaje.

Tapa contra el polvo (Fig. 16)

Cuando realice operaciones de perforación a una altura por encima de la cabeza, utilice la tapa contra el polvo para impedir que el polvo le caiga encima. Sujete la tapa contra el polvo a la broca tal como indica la figura. Las distintas tapas contra el polvo pueden fijarse a brocas del siguiente tamaño.

	Diámetro de la broca
Tapa contra el polvo 5	6 mm - 14,5 mm
Tapa contra el polvo 9	12 mm - 16 mm

006382

MANEJO

Función de perforación con percusión (Fig. 17)

Coloque el pomo de cambio del modo de acción al símbolo **T**.

Coloque la broca en el lugar donde desee practicar el orificio y, a continuación, presione el interruptor disparador.

No fuerce la herramienta. Los mejores resultados se obtienen cuando se ejerce una presión suave.

Mantenga la herramienta en posición y evite que se desplace fuera del orificio.

No ejerza más presión cuando el orificio se obstruya con restos o partículas de materiales. Pare la herramienta y, a continuación, extraiga la broca parcialmente del orificio. Repita esta operación varias veces hasta que el orificio se limpie y pueda reanudar la perforación.

PRECAUCIÓN:

- En determinadas situaciones, como, por ejemplo, al practicar un agujero, cuando el orificio se tapona con restos y partículas de materiales o cuando se golpean las varas de refuerzo dentro del hormigón, se ejerce una enorme y súbita fuerza de torsión sobre la herramienta y la broca. Utilice siempre la empuñadura lateral (mango auxiliar) y sujete firmemente la herramienta por la empuñadura lateral y por el mango del interruptor durante el funcionamiento. De lo contrario, puede perder el control de la herramienta y sufrir heridas graves.

NOTA:

Al utilizar la herramienta en vacío, la broca puede girar de forma descentrada. La herramienta se centra automáticamente durante la operación. Ello no afecta a la precisión de la perforación.

Bulbo de extracción (accesorio opcional) (Fig. 18)

Tras perforar el orificio, utilice el bulbo de extracción para quitar el polvo y los restos de materiales del orificio.


Cincelado/desincrustación/demolición (Fig. 19)

Coloque el pomo de cambio del modo de acción al símbolo **T**.

Sujete firmemente la herramienta con ambas manos. Encienda la herramienta y aplique una ligera presión sobre ella para evitar que rebote sin control. Apretar demasiado la herramienta no aumenta la eficacia.

Perforación en madera o metal (Fig. 20 y 21)

Utilice el conjunto de mandril opcional. Cuando lo instale, consulte "Instalación o extracción de la broca", descrito en la página anterior.

Coloque el pomo de cambio del modo de acción de tal manera que el puntero señale el símbolo .

PRECAUCIÓN:

- No utilice la "perforación con percusión" si está montado el conjunto de mandril en la herramienta. El conjunto de mandril podría resultar dañado. Además, el mandril podría caerse al invertir la herramienta.
- Apretar la herramienta en exceso no acelerará la perforación. De hecho, esta presión excesiva sólo servirá para dañar la punta de la broca, reducir el rendimiento de la herramienta y acortar su vida útil.
- En el momento de realizar el orificio, se ejerce una presión de giro enorme sobre la herramienta y la broca. Sujete firmemente la herramienta y tenga mucho cuidado cuando la broca empieza a perforar el material.
- Para sacar una broca atascada, sólo tiene que ajustar el interruptor de inversión en el giro inverso. Sin embargo, la herramienta puede retroceder bruscamente si no la sujeta con fuerza.
- Sujete siempre las piezas de trabajo pequeñas en una prensa de tornillo o un dispositivo de sujeción similar.

MANTENIMIENTO

PRECAUCIÓN:

- Asegúrese de apagar siempre la herramienta y extraer el cartucho de la batería antes de intentar realizar cualquier trabajo de inspección o mantenimiento en ella.
- Nunca utilice gasolina, benceno, disolvente, alcohol o un producto similar. Se puede provocar una decoloración, una deformación o grietas.

Reemplazo de las escobillas de carbón (Fig. 22)

Extraiga y compruebe las escobillas de carbón regularmente.

Cámbielas cuando el desgaste alcance la marca de límite. Mantenga las escobillas de carbón limpias y de forma que entren libremente en los portaescobillas.

Ambas escobillas de carbón deberán ser sustituidas al mismo tiempo. Utilice únicamente escobillas de carbón idénticas.

Extraiga las tapas del portaherramientas introduciendo el destornillador de punta plana en la parte cóncava de la herramienta y levantándola. (Fig. 23)

Utilice un destornillador para extraer las tapas de los portaescobillas.

Saque las escobillas de carbón desgastadas, introduzca las nuevas y cierre las tapas de los portaescobillas.

(Fig. 24)

Vuelva a colocar las tapas del portaherramientas en la herramienta.

Para conservar la SEGURIDAD y la FIABILIDAD del producto, los trabajos de reparación y otros trabajos de mantenimiento y ajuste deberán ser realizados en centros

de servicio autorizados de Makita, utilizando siempre repuestos Makita.

ACCESORIOS OPCIONALES

PRECAUCIÓN:

- Se recomienda el uso de estos accesorios o complementos con la herramienta Makita especificada en este manual. El uso de otros accesorios o complementos puede conllevar el riesgo de ocasionar daños corporales. Utilice los accesorios o complementos solamente para su fin establecido.

Si necesita cualquier ayuda para obtener más información relativa a estos accesorios, pregunte a su centro de servicio Makita local.

- Brocas con punta de carburo SDS-Plus
- Puntero
- Cortafíos
- Cíncel de desincrustación
- Cíncel para acanaladuras
- Conjunto de mandril
- Mandril S13
- Adaptador de mandril
- Llave del mandril S13
- Grasa para brocas
- Empuñadura lateral
- Calibre de profundidad
- Bulbo de extracción
- Tapa contra el polvo
- Accesorio para extractor de polvo
- Gafas de seguridad
- Maletín de plástico para el transporte
- Mandril automático
- Diversos tipos de baterías y cargadores originales de Makita

NOTA:

- Algunos elementos de la lista se pueden incluir en el paquete de la herramienta como accesorios estándar. Pueden ser diferentes de un país a otro.

Ruido

ENG905-1

Niveles típicos de ruido ponderado A determinados conforme a EN60745:

Nivel de presión de sonido (L_{pA}): 87 dB (A)

Nivel de potencia de sonido (L_{WA}): 98 dB (A)

Incertidumbre (K): 3 dB (A)

Utilice protección para los oídos.

Vibración

ENG900-1

Valor total de la vibración (suma de vectores triaxiales) determinado según el estándar EN60745:

Modo de trabajo: taladrado de percusión en

hormigón

Emisión de vibraciones ($a_{h,HD}$): 14,5 m/s²

Incertidumbre (K): 1,5 m/s²

Modo de trabajo: cincelado

Emisión de vibraciones ($a_{h,CHeq}$): 11,0 m/s²

Incertidumbre (K): 1,5 m/s²

Modo de trabajo: taladrado en metal

Emisión de vibraciones ($a_{h,D}$): 3,0 m/s²

Incertidumbre (K): 1,5 m/s²

- El valor de emisión de vibraciones se ha medido de acuerdo con el método de prueba estándar y se puede utilizar para comparar herramientas.
- El valor de emisión de vibraciones declarado también se puede usar en una evaluación preliminar de la exposición.

⚠ ADVERTENCIA:

- La emisión de vibraciones durante el uso de la herramienta eléctrica puede diferir del valor de emisiones declarado, dependiendo de las formas en que se utiliza la herramienta.
- Asegúrese de identificar las mediciones correctas para proteger al operario, que se basan en una estimación de la exposición en condiciones de uso reales (teniendo en cuenta todas las partes del ciclo de operaciones, como los momentos en los que la herramienta está apagada y cuando funciona al ralentí además del tiempo en que está activado el interruptor).

Solo para países europeos

ENH101-17

Declaración de conformidad de la CE

Makita declara que las siguientes máquinas:

Designación de la máquina:

Martillo Combinado Inalámbrico

Nº de modelo/Tipo: DHR202

Cumplen con las siguientes Directivas europeas:

2006/42/CE

Se han fabricado de acuerdo con los siguientes estándares o documentos estandarizados:

EN60745

El archivo técnico de acuerdo con 2006/42/CE está disponible en:

Makita, Jan-Baptist Vinkstraat 2, 3070, Bélgica

31. 12. 2013



Yasushi Fukaya

Director

Makita, Jan-Baptist Vinkstraat 2, 3070, Bélgica

PORTUGUÊS (Instruções de origem)

Descrição geral

1. Indicador vermelho	13. Apoio da base	26. Fole
2. Botão	14. Dentes	27. Adaptador do mandril
3. Bateria	15. Pega lateral	28. Mandril da broca sem chave
4. Marca de estrela	16. Saliência	29. Manga
5. Gatilho	17. Desapertar	30. Anel
6. Lâmpada	18. Apertar	31. Marca limite
7. Manipulo de mudança de rotação	19. Haste da broca	32. Interior
8. Rotação com martelo	20. Lubrificador da broca	33. Cobertura da tampa do porta-escovas
9. Botão de bloqueio	21. Broca	34. Tampa do porta-escovas
10. Manipulo de mudança de modo de funcionamento	22. Tampa do mandril	35. Chave de parafusos
11. Apenas rotação	23. Símbolo O	
12. Apenas martelo	24. Medidor de profundidade	
	25. Recipiente de pó	

ESPECIFICAÇÕES

Modelo	DHR202	
Capacidades	Betão	20 mm
	Aço	13 mm
	Madeira	26 mm
Velocidade de rotação sem carga (mín. ⁻¹)	0 - 1.200	
Sopros por minuto	0 - 4.000	
Comprimento total	358 mm	
Peso líquido	3,5 kg	
Voltagem nominal	CC 18 V	


- Devido à pesquisa e desenvolvimento constantes, estas especificações estão sujeitas a alteração sem aviso prévio.
- As especificações e o cartucho da bateria podem ser diferentes consoante o país.
- Peso, com a bateria, de acordo com o procedimento EPTA de 01/2003

Utilização prevista ENE043-1

Esta ferramenta é para perfuração com martelo e perfuração em tijolo, cimento ou pedra assim como para trabalhos de acabamento.

É também adequada para perfurar sem impacto em madeira, metal, cerâmica e plástico.

Avisos gerais de segurança para ferramentas eléctricas GEA010-1

 **AVISO** Leia todos os avisos de segurança e todas as instruções. O não cumprimento dos avisos e instruções pode resultar na ocorrência de choques eléctricos, incêndios e/ou ferimentos graves.

Guarde todos os avisos e instruções para referência futura.

AVISOS DE SEGURANÇA DO MARTELETE ROTATIVO A BATERIA GEB046-2

1. **Use protecção para os ouvidos.** A exposição ao ruído pode provocar a perda de audição.
2. **Utilize a(s) pega(s) auxiliar(es) fornecida(s) com a ferramenta.** A perda de controlo pode provocar ferimentos pessoais.

3. **Quando executar operações em que a máquina de corte possa entrar em contacto com fios eléctricos ocultos, tenha o cuidado de tocar apenas nas superfícies isoladas da máquina.** O acessório de corte em contacto com um fio eléctrico ligado à corrente pode electrificar as peças de metal da ferramenta e provocar um choque.
4. **Use um capacete de segurança, óculos de protecção e/ou visor de protecção.** Os óculos normais ou óculos de sol NÃO são óculos de segurança. É igualmente recomendável que use uma máscara de pó e luvas forradas grossas.
5. **Certifique-se que a broca fixa no lugar antes de a utilizar.**
6. **Em funcionamento normal, a ferramenta está concebida para produzir vibrações.** Os parafusos podem soltar-se facilmente, podendo provocar danos ou um acidente. Verifique se os parafusos estão bem apertados antes de utilizar o aparelho.
7. **Em tempo frio ou quando a ferramenta não for usada durante muito tempo, deixe-a aquecer durante um bocado colocando-a em funcionamento sem carga.** Isto melhora a lubrificação. Sem um arrefecimento correcto, o processo de martelagem pode tornar-se difícil.
8. **Procure uma posição em pé estável e firme.** Se utilizar a ferramenta em locais altos, verifique se não há ninguém por baixo.

9. Segure a ferramenta com firmeza, com as duas mãos.
10. Afaste as mãos das peças em movimento.
11. Não abandone a ferramenta a funcionar. Ponha-a a funcionar apenas quando estiver a segurá-la.
12. Não aponte a ferramenta a ninguém quando a estiver a utilizar. A broca pode soltar-se e ferir alguém seriamente.
13. Não toque numa broca nem nos seus componentes logo após a operação porque podem estar demasiado quentes.
14. Alguns materiais contêm químicos que podem ser tóxicos. Tenha cuidado para evitar a inalação e o contacto da pele com o pó produzido. Obedeça às instruções de segurança do fornecedor do material.

GUARDE ESTAS INSTRUÇÕES.

⚠ AVISO:

NÃO deixe que o conforto ou a familiaridade com o produto (adquirida de uma utilização frequente) substitua o respeito total pelas regras de segurança para utilização do produto. A UTILIZAÇÃO INCORRECTA ou o não cumprimento das regras de segurança fornecidas neste manual de instruções podem provocar ferimentos graves.

INSTRUÇÕES DE SEGURANÇA IMPORTANTES

ENC007-7

RELATIVAS À BATERIA

1. Antes de utilizar a bateria, leia as instruções e chamadas de atenção de: (1) o carregador da bateria, (2) a bateria e (3) o produto que utiliza a bateria.
2. Não desmonte a bateria.
3. Se o tempo de utilização com a bateria se tornar demasiado curto, deve parar imediatamente. Se continuar, pode causar sobreaquecimento, incêndio e mesmo explosão.
4. Se o electrólito entrar em contacto com os olhos, enxágue-os com água limpa e consulte imediatamente um médico. Os riscos incluem perda de visão.
5. Não provoque um curto-circuito na bateria:
 - (1) Não deixe que quaisquer materiais condutores entrem em contacto com os terminais da bateria.
 - (2) Evite guardar a bateria juntamente com outros objectos de metal como moedas, por exemplo.
 - (3) Não exponha a bateria a água ou chuva. Um curto-circuito na bateria pode criar uma grande carga eléctrica, sobreaquecimento, fogo e uma quebra da corrente.
6. Não guarde a ferramenta e a bateria em locais onde a temperatura possa atingir ou exceder 50°C (122°F).
7. Não incinere a bateria, nem mesmo se esta estiver irremediavelmente danificada ou completamente gasta. Pode explodir e causar um incêndio.

8. Não a deixe cair e evite o choque com outros objectos.
9. Não utilize uma bateria danificada.

GUARDE ESTAS INSTRUÇÕES.

Sugestões para o máximo de tempo de vida da bateria

1. Não espere que a bateria se gaste completamente para voltar a carregá-la. Pare a ferramenta e carregue a bateria sempre que detectar um baixo nível de energia.
2. Nunca volte a carregar uma bateria já completamente carregada. O carregamento excessivo diminui o tempo de vida das baterias.
3. Carregue a bateria em locais onde a temperatura se situe entre 10°C e 40°C (50°F - 104°F). Se a bateria estiver quente, deixe-a arrefecer antes de iniciar o carregamento.
4. Carregue a bateria uma vez a cada seis meses se não a utilizar durante um longo período.

DESCRIÇÃO DO FUNCIONAMENTO

PRECAUÇÃO:

- Certifique-se sempre de que a ferramenta está desligada e que a bateria foi removida antes de proceder a ajustes ou testar acessórios.

Inserir ou retirar a bateria (Fig. 1)

- Desligue sempre a ferramenta antes de instalar ou retirar a bateria.
- Para retirar a bateria, mantenha premido o botão na frente da bateria e puxe.
- Para colocar a bateria, alinhe a respectiva saliência com a calha do compartimento e encaixe-a suavemente. Insira-a completamente até fixar em posição com um clique. Se ainda estiver visível o indicador vermelho na parte superior do botão, não estará bem encaixado. Coloque-a completamente, até deixar de ver o indicador vermelho. Caso contrário, pode cair da ferramenta e causar ferimentos em si, ou em alguém que esteja perto de si.
- Não exerça força ao colocar a bateria. Se não encaixar facilmente é porque não está correctamente posicionada.

Sistema de protecção da bateria (Bateria de íões de lítio com uma marca de estrela) (Fig. 2)

As baterias de íões de lítio com uma marca de estrela estão equipadas com um sistema de protecção. Este sistema corta automaticamente a alimentação para prolongar a vida útil da bateria.

A ferramenta pára automaticamente durante o funcionamento quando a ferramenta e/ou bateria são colocadas numa das condições seguintes:

- Sobrecarregada: A ferramenta é utilizada de tal forma que atrai uma corrente involuntariamente alta.

Nesta situação, solte o gatilho da ferramenta e pare a aplicação que causou a sobrecarga. De seguida, prima novamente o gatilho para reiniciar.

Se a ferramenta não ligar, a bateria está sobreaquecida. Nesta situação, deixe a bateria arrefecer antes de premir novamente o gatilho.

- Tensão baixa da bateria:
A carga restante da bateria é demasiado baixa e a ferramenta não funciona. Nesta situação, retire e recarregue a bateria.

Acção do interruptor (Fig. 3)

PRECAUÇÃO:

- Antes de inserir a pilha na ferramenta, verifique se o gatilho está a funcionar correctamente e se regressa à posição "OFF" quando o solta.

Para pôr a ferramenta a funcionar, prima o gatilho. A velocidade da ferramenta aumenta com a pressão exercida no gatilho. Para parar a ferramenta, solte o gatilho.

A luz incorporada na ferramenta (Fig. 4)

PRECAUÇÃO:

- Não olhe directamente para a luz da ferramenta. Para a acender prima o gatilho. A lâmpada manter-se-á acesa enquanto o gatilho for premido. A luz apaga-se automaticamente após 10 a 15 segundos depois de o gatilho ser libertado.

NOTA:

- Para limpar a lâmpada, utilize um tecido seco. Tenha cuidado para não riscar a lente da lâmpada, pois poderia diminuir a intensidade da iluminação.
- Não utilize diluente ou gasolina para limpar a luz. Esses diluentes poderão danificá-la.

Inverter a direcção da rotação (Fig. 5)

Esta ferramenta tem um interruptor que permite inverter a direcção da rotação. Rode o interruptor a partir da posição A no sentido dos ponteiros do relógio, ou a partir da posição B no sentido contrário ao dos ponteiros do relógio.


Se o interruptor estiver na posição neutra, o gatilho não poderá ser premido.

PRECAUÇÃO:

- Verifique sempre a direcção da rotação antes da operação.
- Este interruptor deve ser utilizado apenas quando a ferramenta estiver completamente parada. Se alterar a direcção da rotação antes da ferramenta ter parado pode avariá-la.
- Quando a ferramenta não estiver a funcionar coloque o interruptor na posição neutra.


Seleccionar o modo de funcionamento

Rotação com martelo (Fig. 6)

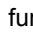
Para perfurar em cimento, pedra, etc., prima o botão de bloqueio e rode o manípulo de mudança do modo de funcionamento para o símbolo . Utilize uma broca com ponta de carboneto de tungsténio.

Apenas rotação (Fig. 7)

Para perfurar em madeira, metal ou plástico, prima o botão de bloqueio e rode o manípulo de mudança do

modo de funcionamento para o símbolo . Utilize uma broca helicoidal ou uma broca para madeira.

Apenas com martelo (Fig. 8)

Para desbastar, desencrostar ou demolir, prima o botão de bloqueio e rode o manípulo de mudança do modo de funcionamento para o símbolo . Utilize uma ponta de cinzel, buril, cinzel de desbaste, etc.

PRECAUÇÃO:

- Não rode o manípulo de mudança do modo de funcionamento enquanto a ferramenta estiver a funcionar. Pode avariar a ferramenta.
- Para evitar uma rápida deterioração no mecanismo de mudança de modo, certifique-se de que o manípulo de mudança do modo de funcionamento está sempre correctamente posicionado numa das três posições do modo de funcionamento.

Limitador de binário

O limitador de binário actua quando um denominado nível de binário é atingido. O motor desengata do veio de saída. Quando isto acontecer, a broca pára de girar.

PRECAUÇÃO:

- Assim que o limitador de binário actuar, desligue a ferramenta imediatamente. Isto ajuda a evitar uma deterioração prematura da ferramenta.
- Não pode usar brocas cranianas com esta ferramenta. Têm tendência para travar e ficarem presas no buraco. Isto faz com que o limitador de binário actue frequentemente.

MONTAGEM

PRECAUÇÃO:

- Certifique-se sempre de que a ferramenta está desligada e a bateria removida, antes de efectuar qualquer operação na ferramenta.

Apoio lateral (manípulo auxiliar) (Fig. 9)

PRECAUÇÃO:

- Utilize sempre o apoio lateral para garantir a segurança de funcionamento. Instale o apoio lateral de forma a que os dentes no apoio entrem nas saliências no cano da ferramenta. Apertam girando no sentido do ponteiro dos relógios na posição desejada. Rodam 360° de forma a ficarem seguras em qualquer posição.

Lubrificante para brocas

Revista a cabeça da haste da broca com uma pequena dose de lubrificante (cerca de 0,5 -1 g). A lubrificação do mandril assegura um funcionamento suave e uma maior duração.

Instalar ou remover a ponta

Limpe a haste da broca e aplique lubrificante na broca antes de a instalar. (Fig. 10)

Introduza a broca na ferramenta. Gira a broca e empurre-a até encaixar. (Fig. 11)

Se não a conseguir empurrar, retire-a. Puxe a tampa do mandril para baixo várias vezes. E introduza a broca novamente. Gira a broca e empurre-a até encaixar. Após instalar, certifique-se sempre de que a broca está bem fixa, tentando puxá-la para fora.

Para retirar a broca, puxe a a tampa do mandril para baixo completamente e retire a broca. (Fig. 12)

Ângulo da broca (quando desbastar, desencrostar ou demolir) (Fig. 13)

A broca pode ser encaixada no ângulo desejado. Para alterar o ângulo da broca, prima o botão de bloqueio e rode o manípulo de mudança do modo de funcionamento para o símbolo **O**. Rode a broca para o ângulo desejado. Prima o botão de bloqueio e rode o manípulo de mudança do modo de funcionamento para o símbolo **T**. Certifique-se de que a broca está bem encaixada girando-a ligeiramente. (Fig. 14)

Medidor de profundidade (Fig. 15)

O medidor de profundidade é conveniente para perfurar buracos de profundidade uniforme. Liberte a pega lateral e introduza o medidor de profundidade no buraco na pega lateral. Ajuste o medidor de profundidade para a profundidade desejada e aperte a pega lateral.

NOTA:

- O medidor de profundidade não pode ser usado na posição em que o medidor de profundidade fique contra o compartimento de velocidade.

Recipiente de pó (Fig. 16)

Use o recipiente de pó para impedir que entre pó na ferramenta ou em si próprio ao efectuar perfurações por cima da cabeça. Encaixe o recipiente de pó à broca como demonstra a figura. O tamanho das brocas em que o recipiente de pó pode ser encaixado é apresentado a seguir.

	Diâmetro da broca
Recipiente de pó 5	6 mm - 14,5 mm
Recipiente de pó 9	12 mm - 16 mm

006382

FUNCIONAMENTO

Função de perfuração com martelo (Fig. 17)

Coloque o manípulo de mudança do modo de funcionamento no símbolo **T**.

Posicione a broca no ponto onde deseja efectuar a perfuração e prima o gatilho.

Não force a ferramenta. Se aplicar uma leve pressão obterá melhores resultados.

Concentre-se em manter a ferramenta na posição correcta e não deixar que a broca saia do orifício.

Não aplique mais pressão quando o orifício começar a ficar entupido com partículas do material perfurado. Em vez disso, coloque a ferramenta em compasso de espera e retire parcialmente a broca do orifício. Repetindo este processo várias vezes, manterá o orifício limpo e uma perfuração normal.

PRECAUÇÃO:

- No início da perfuração, quando o orifício começa a ficar entupido com partículas do material que está a ser perfurado ou quando a perfuração encontra reforços no interior do betão, é exercida uma força enorme que pode causar movimentos inesperados na

broca Utilize sempre a apoio lateral (pega auxiliar) e segure bem na ferramenta pelo apoio lateral e pega do interruptor enquanto trabalha. Se não o fizer poderá perder o controlo da ferramenta e sofrer potenciais ferimentos graves.

NOTA:

Pode ocorrer excentricidade na rotação da broca enquanto trabalhar na ferramenta sem carga. A ferramenta centra-se automaticamente durante o funcionamento. Isto não afecta a precisão de perfuração.

Fole (acessório opcional) (Fig. 18)

Depois de perfurado o orifício, utilize o fole para retirar o entulho e partículas.

Desbastar/Desencrostar/Demolir (Fig. 19)

Coloque o manípulo de mudança do modo de funcionamento no símbolo **T**.

Segure a ferramenta com firmeza, com as duas mãos. Ligue a ferramenta e aplique uma ligeira pressão na ferramenta, de forma a que a ferramenta não salte descontrolada. Premir a ferramenta com muita força não aumentará a eficiência.

Perfurar em madeira ou metal (Fig. 20 e 21)

Utilize o mandril da broca opcional. Quando o montar, consulte a secção “Instalar ou retirar a broca” descrita na página anterior.

Coloque o manípulo de mudança do modo de funcionamento de forma a que o ponteiro aponte para o símbolo **S**.

PRECAUÇÃO:

- Nunca utilize “rotação com martelo” quando a broca de mandril estiver montada na ferramenta. A broca de mandril pode ficar danificada. Além disso, a broca de mandril sairá quando inverter a ferramenta.
- Se exercer demasiada força sobre a ferramenta, a velocidade de perfuração não aumentará. Na verdade, o excesso de força acabará apenas por danificar a ponta da broca, diminuir o desempenho da ferramenta e diminuir o seu tempo de vida funcional.
- No início da perfuração já é exercida uma enorme força de torção na broca e na própria ferramenta. Mantenha a ferramenta firme e concentre-se no posicionamento da broca no início da perfuração.
- Uma broca encravada pode ser removida com facilidade invertendo o sentido da rotação na ferramenta. No entanto, deve ter cuidado porque a ferramenta pode exercer uma força súbita para trás, se não estiver bem segura.
- Quando trabalhar em peças pequenas fixe-as num torno ou num dispositivo similar.

MANUTENÇÃO

PRECAUÇÃO:

- Certifique-se sempre de que a ferramenta está desligada e a bateria removida antes de efectuar operações de inspecção ou de manutenção.
- Nunca utilize gasolina, benzina, diluente, álcool ou semelhante. Podem formar-se descolorações, deformações ou fissuras.

Substituir as escovas de carvão (Fig. 22)

Remova e verifique regularmente as escovas de carvão. Substitua-as quando o desgaste atingir a marca limite. Mantenha-as limpas para poderem deslizar no porta-escovas.

Substitua as duas ao mesmo tempo. Utilize unicamente escovas de carvão idênticas.

Retire as coberturas das tampas do porta-escovas introduzindo a chave de fendas fendida na reentrância da ferramenta e levantando. (Fig. 23)

Utilize uma chave de parafusos para remover as tampas do porta-escovas.

Retire as escovas usadas, coloque umas novas e fixe as tampas do porta-escovas. (Fig. 24)

Volte a instalar as coberturas da tampa do porta-escovas na ferramenta.

Para manter os níveis de SEGURANÇA e FIABILIDADE definidos para este produto, as reparações e os procedimentos de manutenção ou ajustes devem ser executados por centros de assistência Makita autorizados, utilizando sempre peças de substituição Makita.

ACESSÓRIOS OPCIONAIS

PRECAUÇÃO:

- Os seguintes acessórios ou extensões são os recomendados para utilizar com a ferramenta Makita especificada neste manual. A utilização de quaisquer outros acessórios poderá representar um risco de ferimento para as pessoas. Apenas utilize o acessório para o fim indicado.

Se precisar de informações adicionais relativas aos acessórios, contacte o centro local de assistência Makita.

- Brocas com ponta de carboneto SDS-Plus
- Ponta de cinzel
- Buril
- Cinzel de desbaste
- Cinzel de ranhuragem
- Mandril de broca
- Mandril de broca S13
- Adaptador do mandril
- Chave de mandril S13
- Lubrificante para brocas
- Pega lateral
- Medidor de profundidade
- Fole
- Recipiente de pó
- Acessório do extractor de pó
- Óculos protectores
- Saco de transporte de plástico
- Mandril da broca sem chave
- Vários tipos de baterias e carregadores Makita genuínos.

NOTA:

- Alguns itens na lista podem estar incluídos no pacote de ferramentas como acessórios de série. Podem diferir de país para país.

Ruído

ENG905-1

Os níveis acústicos ponderados A típicos foram determinados segundo a EN60745:

Nível de pressão sonora (L_{pA}): 87 dB (A)

Nível de potência sonora (L_{WA}): 98 dB (A)

Incerteza (K): 3 dB (A)

Use protecção para os ouvidos.

Vibração

ENG900-1

O valor total da vibração (soma triaxial de vectores) foi determinado segundo a EN60745:

Modo de trabalho: martelagem de percussão em cimento

Emissão de vibração ($a_{h,HD}$): 14,5 m/s²

Incerteza (K): 1,5 m/s²

Modo de trabalho: burilagem

Emissão de vibração ($a_{h,CHeq}$): 11,0 m/s²

Incerteza (K): 1,5 m/s²

Modo de trabalho: perfuração em metal

Emissão de vibração ($a_{h,D}$): 3,0 m/s²

Incerteza (K): 1,5 m/s²

ENG901-1

- O valor da emissão de vibração declarado foi medido de acordo com o método de teste padrão e pode ser utilizado para comparar uma ferramenta com outra.
- O valor da emissão de vibração declarado pode também ser utilizado numa avaliação preliminar de exposição.

AVISO:

- A emissão de vibração durante a utilização real da ferramenta eléctrica pode ser diferente do valor de emissão declarado, dependendo da forma como a ferramenta é utilizada.
- Certifique-se de que identifica medidas de segurança, para proteger o operador, que são baseadas numa estimativa de exposição nas condições reais de utilização (tendo em conta todas as partes do ciclo de funcionamento, como as vezes que a ferramenta é desligada e quando está a trabalhar ao ralenti, além do tempo de utilização).

Apenas para países europeus

ENH101-17

Declaração de conformidade CE

A Makita declara que as máquinas:

Designação da máquina:

Martetele Combinado A Bateria

Nº/Tipo de modelo: DHR202

Estão em conformidade com as directivas europeias seguintes:

2006/42/EC

São fabricadas de acordo com as normas e documentos padronizados seguintes:

EN60745

O ficheiro técnico em conformidade com a norma
2006/42/EC está disponível a partir de:
Makita, Jan-Baptist Vinkstraat 2, 3070, Bélgica

31. 12. 2013



Yasushi Fukaya
Director

Makita, Jan-Baptist Vinkstraat 2, 3070, Bélgica

Forklaring til generel oversigt

1. Rød indikator	13. Håndtagsbase	25. Støvopsamler
2. Knap	14. Tænder	26. Udblæsningskolbe
3. Batteripakke	15. Sidehåndtag	27. Borepatronadapter
4. Stjernemærkning	16. Fremspring	28. Nøgleløs borepatron
5. Kontaktgreb	17. Løsn	29. Muffe
6. Lampe	18. Stram	30. Ring
7. Skiftekontakthåndtag	19. Værktøjsskaffet	31. Slidgrænse
8. Rotation med slag	20. Smørelse til bit	32. Forsænket del
9. Låseknap	21. Spids	33. Holderdæksel
10. Funktionsknap	22. Værktøjsholder	34. Kulholderdæksel
11. Kun rotation	23. O-symbol	35. Skruetrækker
12. Kun slag	24. Dybdemåler	

SPECIFIKATIONER

Model		DHR202
Kapaciteter	Beton	20 mm
	Stål	13 mm
	Træ	26 mm
Hastighed uden belastning (min ⁻¹)		0 - 1.200
Slag pr. minut		0 - 4.000
Længde i alt		358 mm
Nettovægt		3,5 kg
Nominel spænding		18 V DC

- På grund af vores løbende forsknings- og udviklingsprogram kan specifikationerne heri ændres uden forudgående varsel.
- Specifikationerne og batteripakken kan variere fra land til land.
- Vægt, inklusive batteripakken, i henhold til EPTA-Procedure 01/2003


Tilsigtet brug

ENE043-1

Den tilsigtede brug af dette værktøj er slagboring og boring i mursten, beton og sten samt til mejslingsarbejde. Det er også velegnet til boring uden slag i træ, metal, keramik og plastik.

Generelle sikkerhedsadvarsler for maskiner

GEA010-1

 **ADVARSEL** Læs alle sikkerhedsadvarsler og alle instruktioner. Hvis De ikke følger alle advarsler og instruktioner, kan det medføre elektrisk stød, brand og/eller alvorlig personskade.

Gem alle advarsler og instruktioner til senere reference.

SIKKERHEDSADVARSLER FOR BRUG AF KABELFRI BOREHAMMER

GEB046-2

1. **Bær høreværn.** Udsættelse for støj kan medføre høreskader.
2. **Benyt de ekstra håndtag, der eventuelt leveres med værktøjet.** Hvis du mister kontrollen, kan du komme til skade.

3. **Hold maskiner i de isolerede gribeblader, når du udfører arbejde, hvor skæretilbehøret kan komme i kontakt med skjulte ledninger.** Hvis det skærende tilbehør kommer i kontakt med en strømførende ledning, kan udsatte metaldele på maskinen blive strømførende, hvorved operatøren kan få elektrisk stød.
4. **Bær hård hovedbeklædning (sikkerhedshjelm), beskyttelsesbriller og/eller ansigtsmaske. Almindelige briller eller solbriller er IKKE beskyttelsesbriller.** Det anbefales desuden kraftigt at bære støvmaske og kraftigt polstrede handsker.
5. **Kontroller, at bitten sidder godt fast før brug.**
6. **Værktøjet er designet til at forårsage vibration ved normal brug. Skruer kan nemt løsne sig og medføre et nedbrud eller en ulykke. Kontroller før brug, at skruerne sidder stramt.**
7. **Under kolde forhold, eller når værktøjet ikke har været anvendt i længere tid, skal du lade værktøjet varme op et stykke tid ved at lade det køre i tomgang. Derved løsnes smøremidlet. Uden korrekt opvarmning kan betjening af hammeren være vanskelig.**
8. **Sørg altid for at have et solidt fodfæste. Sørg for, at der ikke er nogen under dig, når du benytter værktøjet på højtliggende steder.**
9. **Hold godt fast i værktøjet med begge hænder.**
10. **Hold hænderne på afstand af bevægelige dele.**

11. Gå ikke fra maskinen, mens den kører. Lad kun maskinen køre, mens du holder den i hænderne.
12. Ret ikke værktøjet mod personer i nærheden, mens det kører. Bitten kan flyve ud og forårsage alvorlig personskade.
13. Berør ikke bitten eller dele i nærheden af bitten umiddelbart efter brugen. De kan være meget varme og kan forårsage forbrændinger af huden.
14. Nogle materialer indeholder kemikalier, som kan være giftige. Sørg for, at undgå indånding af støv og kontakt med huden. Følg materialeleverandørens sikkerhedsdata.

GEM DISSE INSTRUKTIONER.

ADVARSEL:

LAD IKKE tryghed eller kendskab til produktet (fra gentagen brug) føre til, at du ikke strengt overholder sikkerhedsreglerne for det gældende produkt. MISBRUG eller manglende overholdelse af sikkerhedsreglerne i denne brugsanvisning kan medføre alvorlig personskade.

VIGTIGE SIKKERHEDSINSTRUKTIONER

ENC007-7

FOR BATTERIPAKKEN

1. Før brugen af batteripakken skal du læse alle instruktioner og advarsler på (1) batteriopladeren, (2) batteriet og (3) det produkt, som batteriet anvendes i.
2. Skil ikke batteripakken ad.
3. Hvis driftstiden bliver betydeligt kortere, skal du straks ophøre med brugen. Brug kan medføre risiko for overophedning, risiko for forbrændinger eller endog eksplosion.
4. Hvis du får elektrolyt i øjnene, skal du med det samme rense øjnene med rent vand og søge læge. Dette kan medføre tab af synet.
5. Kortslut ikke batteripakken:
 - (1) Undgå at røre ved terminalerne med ledende materiale.
 - (2) Undgå at opbevare batteripakken i en beholder med andre metalgenstande som f.eks. søm, mønter osv.
 - (3) Udsæt ikke batteripakken for vand eller regn. Hvis batteriet kortsluttes, kan det medføre voldsom strøm, overophedning, mulige forbrændinger og endog nedbrud.
6. Undgå at opbevare værktøjet og batteripakken på steder, hvor temperaturen kan komme op på eller overstige 50°C.
7. Sæt ikke ild til batteripakken, selvom den er alvorligt beskadiget eller helt udtjent. Batteripakken kan eksplodere ved brand.
8. Undgå at tabe eller slå på batteriet.
9. Undlad brug af et beskadiget batteri.

GEM DISSE INSTRUKTIONER.

Tips til, hvordan du forlænger batteriets levetid

1. Oplad batteripakken, før den bliver helt afladet. Ophør med at bruge værktøjet, og udsift batteripakken, hvis strømmen til værktøjet aftager.
2. Oplad aldrig en fuldt opladet batteripakke. Overopladning forkorter batteriets levetid.
3. Oplad batteripakken ved stuetemperatur på 10°C - 40°C. Lad batteripakken køle ned før den oplades, hvis den er varm.
4. Oplad batteripakken en gang hver sjette måned, hvis du ikke bruger det i lang tid.

FUNKTIONSBESKRIVELSE

FORSIGTIG:

- Sørg altid for, at værktøjet er slukket, og at batteripakken er taget ud, før De justerer værktøjet eller kontrollerer dets funktion.

Montering eller afmontering af batteripakken (Fig. 1)

- Sluk altid for maskinen inden montering eller afmontering af batteripakken.
- Afmonter batteripakken ved at holde ned på knappen foran på batteripakken og skubbe den af maskinen.
- Ved montering af batteripakken justeres tungen på batteripakken med rillen i huset, hvorefter pakken skubbes på plads. Sæt den altid hele vejen ind, indtil den låses på plads med et lille klik. Hvis den røde indikator øverst på knappen er synlig, er batteripakken ikke låst helt fast. Sæt den helt ind, indtil den røde indikator ikke er synlig. Ellers kan den falde ud af maskinen og skade dig eller andre personer i nærheden.
- Brug ikke magt ved montering af batteripakken. Hvis den ikke glider let ind, er den ikke indsat korrekt.

Batteribeskyttelsessystem (lithium-ion-batteri med stjernemærkning) (Fig. 2)

Lithium-ion-batterier med en stjernemærkning er udstyret med et beskyttelsessystem. Dette system slukker automatisk for strømmen til maskinen for at forlænge batterilevetiden.

Maskinen stopper automatisk under anvendelsen, hvis maskinen og/eller batteriet udsættes for en af de følgende situationer:

- Overbelastning:

Maskinen anvendes på en sådan måde, at det får den til at bruge unormalt meget strøm. I denne situation skal du slippe afbryderkontakten på maskinen og stoppe den anvendelse, som gjorde maskinen overbelastet. Tryk derefter ind på afbryderkontakten for starte igen. Hvis maskinen ikke starter, er batteriet overophedet. I denne situation skal du lade batteriet køle af, inden du trykke ind på afbryderkontakten igen.
- Lav batterispænding:

Den resterende batterikapacitet er for lav, og maskinen kan ikke køre. I denne situation skal du afmontere og oplade batteriet.

Betjening af kontakt (Fig. 3)

FORSIGTIG:

- Før batteripakken sættes i værktøjet, skal De altid kontrollere, at kontaktgrebet reagerer korrekt og vender tilbage i "OFF"-stillingen, når De slipper det.

For at starte værktøjet skal De blot trykke på kontaktgrebet. Værktøjets hastighed forøges ved at trykke hårdere på kontaktgrebet. Slip kontaktgrebet for at stoppe.

Tænding af lampen (Fig. 4)

FORSIGTIG:

- Se ikke direkte ind i lyset eller lyskilden. Træk i kontaktgrebet for at tænde lampen. Lampen forbliver tændt, så længe der trækkes i kontaktgrebet. Lyset slukkes automatisk 10 – 15 sekunder efter, at kontaktgrebet slippes.

BEMÆRK:

- Benyt en tør klud til at tørre snavs af lampens linse. Pas på ikke at ridse lampens linse, da det kan mindske lysstyrken.
- Anvend ikke fortynder eller benzin til at rengøre lampen. Denne type opløsningsmidler kan beskadige den.

Betjening af skiftekontakten (Fig. 5)

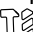
Værktøjet har en skiftekontakt til at ændre rotationsretningen. Tryk skiftekontakten mod A-siden for rotation med uret eller mod B-siden for rotation mod uret. Når skiftekontakthåndtaget er i neutral stilling, kan kontaktgrebet ikke trækkes ud.

FORSIGTIG:


- Kontroller altid rotationsretningen før anvendelsen.
- Betjen ikke skiftekontakten, før værktøjet er helt stoppet. Hvis rotationsretningen ændres, når værktøjet ikke er helt stoppet, kan det beskadige værktøjet.
- Sæt altid skiftekontakthåndtaget i neutral stilling, når værktøjet ikke anvendes.

Valg af funktionstilstand

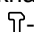
Rotation med slag (Fig. 6)

Ved boring i beton, murværk osv. skal låseknappen trykkes ned, og funktionsknappen drejes til -symbolet. Brug en bit med wolframkarbidforstærkning.

Kun rotation (Fig. 7)

Ved boring i træ, metal eller plastikmaterialer skal låseknappen trykkes ned og funktionsknappen drejes til -symbolet. Brug en snegleborsbit eller en træbit.

Kun slag (Fig. 8)

Ved mejslings-, afbanknings- eller nedrivningsbetjening skal låseknappen trykkes ned, og funktionsknappen drejes til -symbolet. Brug en spidshammer, koldmejsel, afbankningsmejsel osv.

FORSIGTIG:

- Drej ikke funktionsknappen, mens værktøjet kører. Dette vil beskadige værktøjet.
- For at undgå hurtigt slid på mekanismen til funktionsskift skal De sikre Dem, at funktionsknappen altid er sikkert placeret i en af funktionspositionerne.

Skridkoblingen

Skridkoblingen vil udløses, når et vist momentniveau nås. Motoren vil koble fra drivakslen. Når dette sker, holder bitten op med at dreje rundt.

FORSIGTIG:

- Så snart skridkoblingen udløses, skal værktøjet slukkes med det samme. Dette vil hjælpe med til at forhindre, at værktøjet nedslides for tidligt.
- Det er ikke muligt at anvende hulsave med dette værktøj. Disse har tendens til at sætte sig fast. Dette vil medføre, at skridkoblingen udløses for tit.

MONTERING

FORSIGTIG:

- Sørg altid for, at værktøjet er slukket, og at batteripakken er taget ud, før De udfører nogen form for arbejde på værktøjet.

Sidehåndtag (ekstra håndtag) (Fig. 9)

FORSIGTIG:

- Anvend altid sidehåndtaget af hensyn til betjeningssikkerheden.

Indsæt sidehåndtaget, så tænderne på håndtaget passer ind mellem fremspringene på værktøjscylinderen. Stram derefter håndtaget ved at dreje til ønskede position med uret. Den kan svinges 360°, så den kan fastgøres i en hvilken som helst position.

Smørelse til spids

Indsmør halsen på boret med en lille smule fedtstof (cirka 0,5-1 g). Denne smøring af patronen sikrer en jævn betjening og længere holdbarhed.

Montering eller afmontering af bitten


Rengør værktøjsskafet, og smør fedtstof på det, før bitten monteres. (Fig. 10)

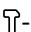
Sæt bitten i værktøjet. Drej bitten, og tryk den ind, indtil den går i indgreb. (Fig. 11)

Hvis bitten ikke kan trykkes ind, skal den tages ud. Træk patrondækslet ned et antal gange. Sæt derefter bitten i igen. Drej bitten, og tryk den ind, indtil den går i indgreb. Efter montering skal De altid sikre Dem, at spidsen sidder godt fast, ved at forsøge at trække den ud.

For at udtage bitten skal patrondækslet trækkes helt ned, hvorefter bitten fjernes. (Fig. 12)

Vinkel på bit (under mejsling, afbankning eller nedrivning) (Fig. 13)

Bitten kan fastgøres i den ønskede vinkel. For at ændre vinklen på bitten skal låseknappen trykkes ned, og funktionsknappen drejes til -symbolet. Drej bitten til den ønskede vinkel.

Tryk låseknappen ned, og drej funktionsknappen til -symbolet. Sørg derefter for, at bitten holdes sikkert på plads, ved at dreje den en smule. (Fig. 14)

Dybdemåler (Fig. 15)

Dybdeanslaget kan bruges til at bore huller, som har samme dybde. Løsn sidehåndtaget, og isæt dybdemåleren i hullet i sidehåndtaget. Juster dybdemåleren, så den har den ønskede dybde, og stram sidehåndtaget til.

BEMÆRK:

- Dybdemåleren kan ikke bruges i den position, hvor dybdemåleren rammer gearhuset.

Støvopsamler (Fig. 16)

Brug støvopsamleren til at undgå, at støv falder ned over værktøjet og på Dem selv, når der bores over hovedet. Fastgør støvopsamleren til bittene, sådan som det er vist i figuren. Størrelsen på bittene, som støvopsamleren kan monteres på, er som følger.

	Værktøjsdiameter
Støvopsamler 5	6 mm - 14,5 mm
Støvopsamler 9	12 mm - 16 mm

006382

BETJENING**Betjening med slagboring (Fig. 17)**

Indstil funktionsknappen til -symbolet.

Placer bittene på det sted, hvor hullet skal bores, og træk i kontaktgrebet.

Brug ikke magt på værktøjet. Et let tryk giver det bedste resultat.

Hold værktøjet på positionen, og undgå, at det glider væk fra hullet.

Anvend ikke mere tryk, når hullet bliver tilstoppet med spåner eller partikler. Lad i stedet værktøjet køre i tomgang, og tag bittene delvist ud af hullet. Når De gentager denne fremgangsmåde flere gange, tømmes hullet, og De kan fortsætte med at bore.

FORSIGTIG:

- Værktøjet og bittene udsættes for en voldsom og pludselig kraft på det tidspunkt, hvor bittene bryder igennem, når hullet tilstoppes med spåner og partikler, eller når værktøjet rammer armeringsjern i beton. Anvend altid sidehåndtaget (ekstra håndtag), og hold godt fast i værktøjet i både sidehåndtaget og kontakthåndtaget under betjening. Hvis De ikke gør dette, kan De miste kontrollen med maskinen, hvilket kan forårsage alvorlig personskade.

BEMÆRK:

Excentricitet i bitrotationen kan forekomme, når værktøjet betjenes uden belastning. Værktøjet centrerer sig selv under betjening. Dette indvirker ikke på præcisionen under boring.

Udblæsningskolbe (fås som tilbehør) (Fig. 18)

Når hullet er boret, kan De bruge udblæsningskolben til at fjerne støv fra hullet.

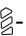
Mejsling/afbankning/nedrivning (Fig. 19)

Indstil funktionsknappen til -symbolet.

Hold godt fast i værktøjet med begge hænder. Tænd for værktøjet, og tryk let på værktøjet, så det ikke kommer ud af kontrol. Effektiviteten forøges ikke ved at trykke meget hårdt på værktøjet.

Boring i træ eller metal (Fig. 20 og 21)

Brug borepatronsættet, som fås som ekstraudstyr. Se "Montering og afmontering af bittene" på forrige side, når den skal monteres.

Indstil funktionsknappen således, at pilen peger på -symbolet.

FORSIGTIG:

- Brug aldrig "rotation med slag", når borepatronsættet er monteret på værktøjet. Borepatronsættet kan blive beskadiget. Derudover vil borepatronen blive frigjort, når værktøjet skiftes.
- Boringen går ikke hurtigere, hvis De trykker hårdt på værktøjet. Det ekstra tryk vil blot beskadige bittene, så værktøjets ydelse forringes, og dets levetid forkortes.
- Værktøjet og bittene er under påvirkning af stærke vridningskræfter på det tidspunkt, hvor bittene bryder igennem. Hold godt fast i værktøjet, og vær opmærksom, når bittene begynder at bryde igennem arbejdsemnet.
- Hvis bittene sidder fast, kan den tages ud ved blot at indstille skiftekontakten til baglæns rotation for at bakke den ud. Vær imidlertid opmærksom på, at værktøjet kan bakke ud pludseligt, hvis De ikke holder godt fast i det.
- Fastgør altid små arbejdsemner i en skruestik eller lignende udstyr til fastgørelse.

VEDLIGEHOLDELSE**FORSIGTIG:**

- Sørg altid for, at værktøjet er slukket, og at batteripakken er taget ud, før De forsøger at udføre inspektion eller vedligeholdelse.
- Brug aldrig benzin, benzen, fortynder, alkohol eller lignende. Det kan muligvis medføre misfarvning, deformation eller revner.

Udskiftning af kulbørsterne (Fig. 22)

Tag regelmæssigt kulbørsterne af, og efterse dem. Udskift dem, når de er nedslidte til slidgrænsen. Hold kulbørsterne rene og frie til at glide i holderne. Begge kulbørster skal udskiftes samtidig. Brug altid identiske kulbørster.

Fjern holderdækslerne ved at indsætte en skruetrækker med kærvspids i den forsænkede del af værktøjet og løfte den op. (Fig. 23)

Brug en skruetrækker til at fjerne kulholderdækslerne. Tag de udslidte kulbørster ud, monter de nye, og fastgør kulholderdækslerne. (Fig. 24)

Montér holderdækslerne på værktøjet igen.

For at holde produktet SIKKERT og PÅLIDELIGT skal reparationer samt al anden vedligeholdelse eller justering udføres af autoriserede Makita-servicecentre, og der skal altid benyttes Makita-reservedele.

EKSTRAUDSTYR** FORSIGTIG:**

- Dette tilbehør eller ekstraudstyr anbefales til brug med det Makita-værktøj, som er beskrevet i denne brugsanvisning. Brug af andet tilbehør eller ekstraudstyr kan forårsage personskade. Brug kun tilbehør eller ekstraudstyr til det formål, det er beregnet til.

Henvend dig til dit lokale Makita-servicecenter, hvis du har brug for hjælp eller yderligere oplysninger vedrørende tilbehøret.

- SDS-Plus karbidforstærkede spidser

- Spidshammer
- Koldmejsel
- Afbankningsmejsel
- Kanalmejsel
- Borepatronsæt
- Borepatron S13
- Patronadapter
- Patronnøgle S13
- Smørelse til spids
- Sidegreb
- Dybdemåler
- Udblæsningskolbe
- Støvopsamlere
- Sugesæt til støv, ekstraudstyr
- Sikkerhedsbriller
- Plastikbæretaske
- Nøgleløs borepatron
- Forskellige typer af originale batterier og opladere fra Makita

BEMÆRK:

- Visse dele på listen er muligvis indeholdt maskinindpakningen som standardtilbehør. De kan variere fra land til land.

Støj

ENG905-1

Det typiske A-vægtede støjniveau bestemt i overensstemmelse med EN60745:

- Lydtryksniveau (L_{pA}): 87 dB (A)
- Lydeffektniveau (L_{WA}): 98 dB (A)
- Usikkerhed (K): 3 dB (A)

Bær høreværn.

Vibration

ENG900-1

Den samlede vibrationsværdi (treaksel vektorsum) bestemt i overensstemmelse med EN60745:

- Arbejdstilstand: hammerboring i beton
- Vibrationsemission ($a_{h,HD}$): 14,5 m/s²
- Usikkerhed (K): 1,5 m/s²

- Arbejdstilstand: mejsling
- Vibrationsemission ($a_{h,CHeq}$): 11,0 m/s²
- Usikkerhed (K): 1,5 m/s²

- Arbejdstilstand: boring i metal
- Vibrationsemission ($a_{h,D}$): 3,0 m/s²
- Usikkerhed (K): 1,5 m/s²

ENG901-1

- Den opgivne vibrationsemissionsværdi er målt i overensstemmelse med standardtestmetoden og kan bruges til at sammenligne et værktøj med et andet.
- Den opgivne vibrationsemissionsværdi kan muligvis også bruges til en indledende eksponeringsvurdering.

ADVARSEL:

- Vibrationsemissionen under den faktiske brug af maskinen kan afvige fra den opgivne emissionsværdi afhængigt af den måde, maskinen anvendes på.
- Sørg for at bestemme sikkerhedsforanstaltninger for beskyttelse af operatøren, som er baseret på en eksponeringsvurdering for brug under faktiske forhold (hvor alle anvendelsescyklussens dele inddrages, som f.eks. antal gange maskinen slukkes, og når den kører i tomgang ud over triggertiden).

Kun for europæiske lande EF-overensstemmelseserklæring

ENH101-17

Makita erklærer at følgende Makita-maskine(r):

Maskinens betegnelse:

Kabelfri kombihammer

Modelnummer/type: DHR202

Overholder følgende europæiske direktiver:

2006/42/EF

De er produceret i overensstemmelse med den følgende standard eller standardiserede dokumenter:

EN60745

Den tekniske fil er i overensstemmelse med 2006/42/EF til rådighed fra:

Makita, Jan-Baptist Vinkstraat 2, 3070, Belgien

31. 12. 2013



Yasushi Fukaya
Direktør

Makita, Jan-Baptist Vinkstraat 2, 3070, Belgien

ΕΛΛΗΝΙΚΑ (Πρωτογενείς οδηγίες)

Περιγραφή γενικής όψης

1. Κόκκινη ένδειξη	13. Βάση λαβής	25. Κύπελλο σκόνης
2. Κουμπί	14. Δόντια	26. Φουσητήρι
3. Μπαταρία	15. Πλαϊνή λαβή	27. Προσαρμογέας κεφαλής
4. Ένδειξη άστρου	16. Προεξοχή	28. Κεφαλή δράπανου χωρίς κλειδί
5. Σκανδάλη-διακόπτης	17. Ξεσφίξτε	29. Περίβλημα
6. Λάμπα	18. Σφίξτε	30. Δακτύλιος
7. Αναστροφικό	19. Κολάρο μύτης	31. Ένδειξη ορίου
8. Περιστροφή με κρούση	20. Γράσο για μύτες	32. Τμήμα με εγκοπή
9. Κουμπί κλειδώματος	21. Μύτη	33. Κάλυμμα καπακιού υποδοχής
10. Λαβή αλλαγής τρόπου δράσης	22. Κάλυμμα κεφαλής	34. Καπάκι υποδοχής για το καρβουνάκι
11. Περιστροφή μόνο	23. Σύμβολο O	35. Κατσαβίδι
12. Κρούση μόνο	24. Μετρητής βάθους	

ΤΕΧΝΙΚΑ ΧΑΡΑΚΤΗΡΙΣΤΙΚΑ

Μοντέλο		DHR202
Δυνατότητες	Τσιμέντο	20 mm
	Ατσάλι	13 mm
	Ξύλο	26 mm
Ταχύτητα χωρίς φορτίο (min ⁻¹)		0 - 1.200
Κρούσεις το λεπτό		0 - 4.000
Ολικό μήκος		358 mm
Καθαρό βάρος		3,5 kg
Ονομαστική τιμή τάσης		D.C. 18 V

- Λόγω του συνεχόμενου προγράμματος που εφαρμόζουμε για έρευνα και ανάπτυξη, τα τεχνικά χαρακτηριστικά στο παρόν έντυπο υπόκεινται σε αλλαγή χωρίς προειδοποίηση.
- Τα τεχνικά χαρακτηριστικά και η μπαταρία ενδέχεται να διαφέρουν από χώρα σε χώρα.
- Βάρος μαζί με την μπαταρία σύμφωνα με τη διαδικασία της EPTA 01/2003

Προοριζόμενη χρήση

ENE043-1

Το εργαλείο προορίζεται για κρουστικό τρυπάνισμα και τρυπάνισμα σε τούβλα, τσιμέντο και πέτρα, καθώς και για καλέμισμα.

Είναι επίσης κατάλληλο για τρυπάνισμα χωρίς κρούση σε ξύλο, μέταλλο, κεραμικό και πλαστικό.

Γενικές Προειδοποιήσεις Ασφαλείας Του Ηλεκτρικού Εργαλείου

GEA010-1

⚠ ΠΡΟΕΙΔΟΠΟΙΗΣΗ Διαβάστε όλες τις προειδοποιήσεις ασφαλείας και όλες τις οδηγίες. Αν δεν ακολουθήσετε όλες τις προειδοποιήσεις και τις οδηγίες, υπάρχει κίνδυνος ηλεκτροπληξίας, πυρκαγιάς ή και σοβαρού τραυματισμού.

Φυλάξτε όλες τις προειδοποιήσεις και τις οδηγίες για μελλοντική αναφορά.

ΠΡΟΕΙΔΟΠΟΙΗΣΕΙΣ ΑΣΦΑΛΕΙΑΣ ΠΕΡΙΣΤΡΟΦΙΚΟΥ ΔΡΑΠΑΝΟΥ ΜΠΑΤΑΡΙΑΣ

GEB046-2

1. **Να φοράτε ωτοασπίδες.** Η έκθεση σε θόρυβο μπορεί να προκαλέσει απώλεια ακοής.

2. **Να χρησιμοποιείτε τη βοηθητική χειρολαβή(ες), εάν παρέχονται με το εργαλείο.** Η απώλεια του ελέγχου μπορεί να προκαλέσει προσωπικό τραυματισμό.
3. **Να κρατάτε το ηλεκτρικό εργαλείο από τις μονωμένες λαβές όταν εκτελείτε εργασίες κατά τις οποίες το κοπτικό εξάρτημα μπορεί να έρθει σε επαφή με κρυμμένα καλώδια.** Αν το κοπτικό εξάρτημα έρθει σε επαφή με κάποιο ηλεκτροφόρο καλώδιο, τα εκτεθειμένα μεταλλικά μέρη του ηλεκτρικού εργαλείου θα γίνουν κι αυτά ηλεκτροφόρα και μπορεί να προκληθεί ηλεκτροπληξία στο χειριστή.
4. **Να φοράτε ένα σκληρό καπέλο (κράνος ασφάλειας), γυαλιά ασφάλειας ή/και προσωπίδα. Τα συνηθισμένα γυαλιά ή τα γυαλιά ηλίου ΔΕΝ αποτελούν γυαλιά ασφάλειας. Συνιστάται επίσης ένθερμα να φοράτε προσωπίδα κατά της σκόνης και γάντια με παχιά επένδυση.**
5. **Πριν θέσετε το εργαλείο σε λειτουργία, βεβαιωθείτε ότι το τρυπάνι είναι ασφαλισμένο στη θέση του.**
6. **Σε κανονικές συνθήκες λειτουργίας, το εργαλείο είναι σχεδιασμένο να παράγει κραδασμούς. Οι βίδες μπορούν εύκολα να ξεβιδωθούν και να προκληθεί βλάβη του εργαλείου ή ατύχημα. Πριν θέσετε το εργαλείο σε λειτουργία, ελέγξτε αν οι βίδες είναι σφιγμένες.**
7. **Όταν έχει κρύο καιρό ή όταν δεν έχετε χρησιμοποιήσει το εργαλείο για μεγάλη χρονική**

περίοδο, αφήστε το εργαλείο να λειτουργήσει για λίγη ώρα χωρίς φόρτο. Με αυτό το τρόπο θα κυκλοφορήσει το λιπαντικό. Αν δεν γίνει σωστό ζέσταμα, θα υπάρχει δυσκολία στη λειτουργία σφυρηλάτησης.

8. Να βεβαιώνετε πάντοτε ότι στέκεστε σταθερά. Όταν χρησιμοποιείτε το εργαλείο σε υψηλές τοποθεσίες, να βεβαιώνετε ότι δεν βρίσκεται κανένας από κάτω.
9. Να κρατάτε το εργαλείο γερά και με τα δύο χέρια.
10. Μην πλησιάζετε τα χέρια σας σε κινούμενα μέρη.
11. Μην αφήνετε το εργαλείο σε λειτουργία. Το εργαλείο πρέπει να βρίσκεται σε λειτουργία μόνο όταν το κρατάτε.
12. Όταν το εργαλείο βρίσκεται σε λειτουργία, μην το στρέψετε προς την κατεύθυνση κανενός ατόμου που βρίσκεται στην περιοχή. Η μύτη μπορεί να εκτοξευτεί και να προκληθεί σοβαρός τραυματισμός σε άλλο άτομο.
13. Μην αγγίζετε τη μύτη ή τα μέρη που βρίσκονται κοντά στη μύτη αμέσως μετά τη λειτουργία του εργαλείου. Μπορεί να είναι εξαιρετικά θερμά και να προκληθεί έγκαυμα στο δέρμα σας.
14. Μερικά υλικά περιέχουν χημικές ουσίες που μπορεί να είναι τοξικές. Να προσέχετε ώστε να αποφεύγετε την εισπνοή της σκόνης και την επαφή με το δέρμα. Ακολουθείτε τα δεδομένα ασφάλειας υλικού που παρέχονται από τον προμηθευτή.

ΦΥΛΑΞΤΕ ΑΥΤΕΣ ΤΙΣ ΟΔΗΓΙΕΣ.

ΠΡΟΕΙΔΟΠΟΙΗΣΗ:

ΜΗΝ επιτρέψετε στη βολικότητα ή στην εξοικείωσή σας με το προϊόν (που αποκτήθηκε από επανειλημμένη χρήση) να αντικαταστήσει την αυστηρή προσήλωση στους κανόνες ασφάλειας του εν λόγω προϊόντος. Η ΛΑΝΘΑΣΜΕΝΗ ΧΡΗΣΗ ή η μη τήρηση των κανόνων ασφαλείας που διατυπώνονται στο παρόν εγχειρίδιο οδηγιών μπορεί να προκαλέσει σοβαρό τραυματισμό.

ΣΗΜΑΝΤΙΚΕΣ ΟΔΗΓΙΕΣ ΑΣΦΑΛΕΙΑΣ

ENC007-7

ΓΙΑ ΤΗΝ ΜΠΑΤΑΡΙΑ

1. Πριν χρησιμοποιήσετε την μπαταρία, διαβάστε όλες τις οδηγίες και τις ενδείξεις προφύλαξης στο (1) φορτιστή μπαταρίας, (2) την μπαταρία και (3) το προϊόν στο οποίο χρησιμοποιείται η μπαταρία.
2. Μην αποσυναρμολογείτε την μπαταρία.
3. Αν ο χρόνος λειτουργίας της μπαταρίας είναι υπερβολικά σύντομος, διακόψτε αμέσως τη λειτουργία. Αν συνεχίσετε, μπορεί να έχει ως αποτέλεσμα τον κίνδυνο υπερθέρμανσης, πιθανών εγκαυμάτων και ακόμη έκρηξης.
4. Αν μπει στα μάτια σας ηλεκτρολύτης, ξεπλύνετε με καθαρό νερό και αναζητήστε αμέσως ιατρική βοήθεια. Μπορεί να χάσετε την όρασή σας.
5. Μην βραχυκυκλώνετε την μπαταρία:
 - (1) Μην αγγίζετε τους ακροδέκτες με αγώγιμο υλικό.

(2) Μην αποθηκεύετε την μπαταρία σε δοχείο με άλλα μεταλλικά αντικείμενα, όπως καρφιά, νομίσματα, κτλ.

(3) Μην εκθέτετε την μπαταρία σε νερό ή βροχή. Αν βραχυκυκλωθεί η μπαταρία, μπορεί να προκληθεί μεγάλη ροή ηλεκτρικού ρεύματος, υπερθέρμανση, πιθανά εγκαύματα και ακόμη και καταστροφή της μπαταρίας.

6. Μην αποθηκεύετε το εργαλείο και την μπαταρία σε μέρη όπου η θερμοκρασία μπορεί να φτάσει ή να ξεπεράσει τους 50°C (122°F).
7. Μην αποτεφρώνετε την μπαταρία ακόμη κι αν παρουσιάζει σοβαρή ζημιά ή είναι εντελώς φθαρμένη. Η μπαταρία μπορεί να εκραγεί σε φωτιά.
8. Να προσέχετε να μη σας πέσει η μπαταρία και να μη συγκρουστεί με κάποιο αντικείμενο.
9. Μη χρησιμοποιείτε μια μπαταρία που έχει υποστεί βλάβη.

ΦΥΛΑΞΤΕ ΑΥΤΕΣ ΤΙΣ ΟΔΗΓΙΕΣ.

Συμβουλές για τη διατήρηση της μέγιστης ζωής της μπαταρίας

1. Να φορτίζετε την μπαταρία πριν αποφορτιστεί εντελώς. Πάντοτε να διακόπτετε τη λειτουργία του εργαλείου και να φορτίζετε την μπαταρία όταν παρατηρείται μειωμένη ισχύ του εργαλείου.
2. Ποτέ μην επαναφορτίζετε μια πλήρως φορτισμένη μπαταρία. Αν υπερφορτίσετε την μπαταρία, μειώνεται η ωφέλιμη διάρκεια ζωής της.
3. Να φορτίζετε την μπαταρία σε θερμοκρασία δωματίου, δηλαδή στους 10°C έως 40°C (50°F έως 104°F). Αν η μπαταρία είναι θερμή, αφήστε την να ψυχθεί πριν τη φορτίσετε.
4. Να φορτίζετε την κασέτα μπαταρία μια φορά κάθε έξι μήνες όταν δεν τη χρησιμοποιείτε για μεγάλο χρονικό διάστημα.

ΠΕΡΙΓΡΑΦΗ ΛΕΙΤΟΥΡΓΙΑΣ

ΠΡΟΣΟΧΗ:

- Να βεβαιώνετε πάντοτε ότι έχετε σβήσει το εργαλείο και έχετε βγάλει την μπαταρία πριν ρυθμίσετε ή ελέγξετε κάποια λειτουργία του εργαλείου.

Τοποθέτηση ή αφαίρεση της κασέτας μπαταρίας (Εικ. 1)

- Πάντοτε να απενεργοποιείτε το εργαλείο πριν από την τοποθέτηση ή την αφαίρεση της κασέτας μπαταρίας.
- Για να βγάλετε την κασέτα μπαταρίας, σύρετε την από το εργαλείο ολισθαίνοντας το κουμπί στο μπροστινό μέρος της κασέτας.
- Για να τοποθετήσετε την κασέτα μπαταρίας, ευθυγραμμίστε τη γλωττίδα της κασέτας μπαταρίας με την εγκοπή στο περίβλημα και ολισθήστε τη στη θέση της. Πάντοτε να την τοποθετείτε έως το τέρμα, δηλαδή έως όπου ασφαρίζει στη θέση και ακουστεί ένας χαρακτηριστικός ήχος "κλικ". Αν μπορείτε να δείτε την κόκκινη ένδειξη στην πάνω πλευρά του κουμπιού, η μπαταρία δεν είναι πλήρως ασφαλισμένη.

Τοποθετήστε την πλήρως για να μη φαίνεται η κόκκινη ένδειξη. Σε αντίθετη περίπτωση, μπορεί να πέσει κατά λάθος από το εργαλείο και να τραυματίσει εσάς ή κάποιον παρευρισκόμενο.

- Να μη χρησιμοποιείτε δύναμη όταν τοποθετείτε την κασέτα μπαταρίας. Αν η κασέτα δεν ολισθαίνει με ευκολία, δεν την εισήγατε σωστά.

Σύστημα προστασίας μπαταρίας (Μπαταρία ιόντων λιθίου με την ένδειξη άστρου) (Εικ. 2)

Οι μπαταρίες ιόντων λιθίου με ένδειξη άστρου είναι εφοδιασμένες με ένα σύστημα προστασίας. Αυτό το σύστημα διακόπτει αυτόματα το ρεύμα στο εργαλείο για να παρατείνεται η διάρκεια ζωής της μπαταρίας. Το εργαλείο θα σταματήσει αυτόματα κατά τη λειτουργία όταν το εργαλείο και/ή η μπαταρία υποστούν τις παρακάτω συνθήκες.

- Υπερφόρτιση:
Το εργαλείο λειτουργεί με τρόπο που προκαλεί την κατανάλωση ασυνήθιστα υψηλής ποσότητας ρεύματος.
Στην περίπτωση αυτή, ελευθερώστε το διακόπτη ενεργοποίησης του εργαλείου και σταματήστε την εφαρμογή που προκάλεσε την υπερφόρτωση του εργαλείου. Στη συνέχεια, τραβήξτε τη σκανδάλη ξανά για επανεκκίνηση.
Εάν το εργαλείο δεν ξεκινά, η μπαταρία έχει υπερθερμανθεί. Στην περίπτωση αυτή, αφήστε την μπαταρία να κρυώσει πριν τραβήξετε τη σκανδάλη ξανά.
- Χαμηλή τάση της μπαταρίας:
Η εναπομένουσα ποσότητα ρεύματος της μπαταρίας είναι πολύ χαμηλή και το εργαλείο δεν θα λειτουργήσει. Σε αυτήν την περίπτωση, αφαιρέστε και επαναφορτίστε τη μπαταρία.

Δράση διακόπτη (Εικ. 3)

ΠΡΟΣΟΧΗ:

- Πριν βάζετε την μπαταρία στο εργαλείο, πάντοτε να ελέγχετε ότι η σκανδάλη-διακόπτης ενεργοποιείται κανονικά και επιστρέφει στη θέση OFF όταν την αφήνετε.

Για να ξεκινήσετε το εργαλείο, απλά πατήστε τη σκανδάλη-διακόπτη. Αν αυξήσετε την πίεση στη σκανδάλη-διακόπτη, αυξάνεται η ταχύτητα του εργαλείου. Για να σταματήσετε το εργαλείο, αφήστε τη σκανδάλη-διακόπτη.

Αναμμα λάμπας (Εικ. 4)

ΠΡΟΣΟΧΗ:

- Μην κοιτάτε κατευθείαν μέσα στο φως ή στην πηγή φωτός.

Πιέστε τη σκανδάλη-διακόπτη για να ανάψετε τη λάμπα. Η λάμπα εξακολουθεί να είναι αναμμένη όσο πιέζετε τη σκανδάλη-διακόπτη.

Η λάμπα σβήνει αυτόματα 10 έως 15 δευτερόλεπτα αφού αφήσετε τη σκανδάλη-διακόπτη.

ΣΗΜΕΙΩΣΗ:

- Χρησιμοποιήστε ένα στεγνό πανί για να σκουπίσετε τη σκόνη από το φακό της λάμπας. Προσέχετε να μη

γρατσουνίσετε το φακό της λάμπας, επειδή μπορεί να μειωθεί η ένταση του φωτισμού.

- Μη χρησιμοποιείτε νέφτι ή βενζίνη για να καθαρίσετε τη λάμπα. Τέτοιοι διαλύτες μπορεί να καταστρέψουν τη λάμπα.

Δράση αναστροφικού (Εικ. 5)

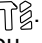
Το εργαλείο αυτό διαθέτει αναστροφικό για να αλλάζετε την κατεύθυνση περιστροφής. Πατήστε το αναστροφικό από την πλευρά Α για δεξιόστροφη περιστροφή ή από την πλευρά Β για αριστερόστροφη περιστροφή. Όταν το αναστροφικό βρίσκεται στην ουδέτερη θέση, δεν μπορείτε να πατήσετε τη σκανδάλη-διακόπτη.

ΠΡΟΣΟΧΗ:

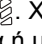
- Πριν από τη λειτουργία, να ελέγχετε πάντοτε την κατεύθυνση περιστροφής.
- Να χρησιμοποιείτε το αναστροφικό μόνο όταν το εργαλείο είναι εντελώς ακινητοποιημένο. Αν αλλάξετε την κατεύθυνση περιστροφής πριν ακινητοποιηθεί το εργαλείο, μπορεί να προκληθεί βλάβη στο εργαλείο.
- Όταν δεν χειρίζεστε το εργαλείο, να βάζετε πάντοτε το αναστροφικό στην ουδέτερη θέση.

Επιλογή του τρόπου δράσης

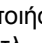
Περιστροφή με κρούση (Εικ. 6)

Για τρυπάνισμα σε τσιμέντο, τοιχοποιία, κτλ., πιέστε το κουμπί ασφάλισης και περιστρέψτε τη λαβή αλλαγής τρόπου δράσης προς το σύμβολο . Χρησιμοποιήστε μύτη με άκρο βολφραμίου-καρβιδίου.

Περιστροφή μόνο (Εικ. 7)

Για τρυπάνισμα σε ξύλο, μέταλλο ή πλαστικά, πιέστε το κουμπί ασφάλισης και περιστρέψτε τη λαβή αλλαγής τρόπου δράσης προς το σύμβολο . Χρησιμοποιήστε μύτη για περιστροφικό τρυπάνισμα ή μύτη για ξύλο.

Κρούση μόνο (Εικ. 8)

Για καλέμισμα, ξύσιμο ή ξήλωμα, πιέστε το κουμπί ασφάλισης και περιστρέψτε τη λαβή αλλαγής τρόπου δράσης στο σύμβολο . Χρησιμοποιήστε βελόνι, ψυχρό καλέμι, καλέμι σφυροκοπήματος, κτλ.

ΠΡΟΣΟΧΗ:

- Μην περιστρέφετε τη λαβή αλλαγής τρόπου δράσης όταν λειτουργεί το εργαλείο. Θα προκληθεί βλάβη στο εργαλείο.
- Για να αποφεύγετε την ταχεία φθορά του μηχανισμού αλλαγής τρόπου λειτουργίας, βεβαιωθείτε ότι η λαβή αλλαγής τρόπου δράσης πάντα βρίσκεται σε μία από τις τρεις θέσεις τρόπου δράσης.

Περιοριστής ροπής

Ο περιοριστής ροπής θα ενεργοποιηθεί όταν επιτευχθεί ένα ορισμένο επίπεδο ροπής. Το μοτέρ θα αποδεσμευτεί από τον άξονα εξόδου. Όταν συμβεί αυτό, η μύτη θα σταματήσει να περιστρέφεται.

ΠΡΟΣΟΧΗ:

- Μόλις ενεργοποιηθεί ο περιοριστής ροπής, απενεργοποιήστε αμέσως το εργαλείο. Έτσι, θα προληφθεί η πρόωρη φθορά του εργαλείου.
- Δεν είναι δυνατή η χρήση πριονιών για σπές με αυτό το εργαλείο. Τείνουν να εγκλωβίζονται ή να σφηνώνουν εύκολα στην οπή. Αυτό θα προκαλέσει τη συχνή ενεργοποίηση του περιοριστή ροπής.

ΣΥΝΑΡΜΟΛΟΓΗΣΗ

ΠΡΟΣΟΧΗ:

- Να βεβαιώνετε πάντοτε ότι έχετε σβήσει το εργαλείο και έχετε βγάλει την μπαταρία πριν εκτελέσετε οποιαδήποτε εργασία σε αυτό.

Πλαϊνή λαβή (βοηθητική λαβή) (Εικ. 9)

ΠΡΟΣΟΧΗ:

- Να χρησιμοποιείτε πάντα την πλαϊνή λαβή για να εξασφαλίζετε την ασφάλεια κατά τη λειτουργία. Τοποθετήστε την πλαϊνή λαβή έτσι ώστε τα δόντια στη λαβή να προσαρμόζονται ανάμεσα στις προεξοχές στο κύριο τμήμα του εργαλείου. Κατόπιν, περιστρέψτε δεξιόστροφα τη λαβή στην επιθυμητή θέση για να τη σφίξετε. Μπορείτε να την περιστρέψετε κατά 360° ώστε να ασφαλίσει σε οποιαδήποτε θέση.

Γράσο για μύτες

Επικαλύψτε εκ των προτέρων την κεφαλή του κολάρου μύτες με μια μικρή ποσότητα γράσου για μύτες (περίπου 0,5 έως 1 γρ.). Αυτή η λίπανση της κεφαλής εξασφαλίζει την ομαλή δράση και τη μακρύτερη διάρκεια λειτουργίας.

Τοποθέτηση ή αφαίρεση της μύτες

Καθαρίστε το κολάρο μύτες και τοποθετήστε γράσο για μύτες πριν τοποθετήσετε τη μύτη. (Εικ. 10)

Τοποθετήστε τη μύτη στο εργαλείο. Περιστρέψτε τη μύτη και σπρώξτε τη προς τα μέσα έως ότου ασφαλίσει.

(Εικ. 11)

Εάν δεν μπορείτε να σπρώξετε τη μύτη προς τα μέσα, αφαιρέστε την. Τραβήξτε το κάλυμμα κεφαλής προς τα κάτω μερικές φορές. Κατόπιν, τοποθετήστε ξανά τη μύτη. Περιστρέψτε τη μύτη και σπρώξτε τη προς τα μέσα έως ότου ασφαλίσει.

Μετά την τοποθέτηση, να προσπαθείτε πάντοτε να τραβήξετε τη μύτη για να βεβαιωθείτε ότι αυτή είναι ασφαλισμένη στη θέση της.

Για να αφαιρέσετε τη μύτη, τραβήξτε προς τα κάτω το κάλυμμα κεφαλής έως το τέρμα και τραβήξτε τη μύτη προς τα έξω. (Εικ. 12)

Κλίση μύτες (κατά το καλέμισμα, ξύσιμο ή ξήλωμα) (Εικ. 13)

Μπορείτε να ασφαλίσετε τη μύτη στην επιθυμητή κλίση.

Για να αλλάξετε την κλίση της μύτες, πιέστε το κουμπί ασφάλισης και περιστρέψτε τη λαβή αλλαγής τρόπου δράσης στο σύμβολο **O**. Περιστρέψτε τη μύτη στην επιθυμητή κλίση.

Πιέστε το κουμπί ασφάλισης και περιστρέψτε τη λαβή αλλαγής τρόπου δράσης στο σύμβολο **U**. Κατόπιν, περιστρέψτε λίγο τη μύτη για να βεβαιωθείτε ότι είναι καλά ασφαλισμένη στη θέση της. (Εικ. 14)

Μετρητής βάθους (Εικ. 15)

Ο μετρητής βάθους είναι χρήσιμος για το τρυπάνισμα οπών με ομοιόμορφο βάθος. Ξεσφίξτε την πλαϊνή λαβή και τοποθετήστε τον μετρητή βάθους στην οπή στην πλαϊνή λαβή. Ρυθμίστε το μετρητή βάθους στο επιθυμητό βάθος και σφίξτε την πλαϊνή λαβή.

ΣΗΜΕΙΩΣΗ:

- Ο μετρητής βάθους δεν μπορεί να χρησιμοποιηθεί στη θέση όπου ο μετρητής βάθους χτυπάει επάνω στο περίβλημα γραναζιού.

Κύπελλο σκόνης (Εικ. 16)

Χρησιμοποιήστε το κύπελλο σκόνης για να εμποδίζετε την πτώση της σκόνης επάνω στο εργαλείο και στον εαυτό σας όταν εκτελείτε εργασίες τρυπανίσματος σε ύψος επάνω από το κεφάλι σας. Προσδέστε το κύπελλο σκόνης στη μύτη όπως απεικονίζεται στην εικόνα. Το μέγεθος των μυτών στις οποίες μπορείτε να προσδέσετε το κύπελλο σκόνης είναι ως εξής:

	Διάμετρος μύτες
Κύπελλο σκόνης 5	6 mm έως 14,5 mm
Κύπελλο σκόνης 9	12 mm έως 16 mm

006382

ΛΕΙΤΟΥΡΓΙΑ

Λειτουργία τρυπανίσματος με κρούση (Εικ. 17)

Θέστε τη λαβή αλλαγής τρόπου δράσης στο σύμβολο **T**. Τοποθετήστε τη μύτη στη θέση που επιθυμείτε να τρυπανίσετε και κατόπιν τραβήξτε τη σκανδάλη-διακόπτη. Μην ασκείτε δύναμη στο εργαλείο. Θα έχετε καλύτερα αποτελέσματα με ελαφριά πίεση.

Να διατηρείτε το εργαλείο στη θέση του και να αποφεύγετε την ολίσθησή του από την οπή.

Μην ασκείτε περισσότερη πίεση σε περίπτωση που η οπή φράξει με θραύσματα ή σωματίδια. Αντ' αυτού, σταματήστε αργά τη λειτουργία του εργαλείου και κατόπιν βγάλτε τη μύτη μερικώς από την οπή. Αν επαναλάβετε τη διαδικασία αυτή μερικές φορές, η οπή θα καθαρίσει και θα μπορείτε να συνεχίσετε κανονικά το τρυπάνισμα.

ΠΡΟΣΟΧΗ:

- Ασκείται μια τεράστια και ξαφνική δύναμη στρέψης στο εργαλείο/μύτη τη στιγμή που διαπερνάει η οπή, όταν η οπή φράσσει με θραύσματα και σωματίδια ή όταν το εργαλείο/μύτη χτυπάει ράβδους ενίσχυσης που είναι ενσωματωμένες στο τσιμέντο. Να χρησιμοποιείτε πάντα την πλαϊνή λαβή (βοηθητική λαβή) και, κατά τη λειτουργία, να κρατάτε το εργαλείο καλά και από την πλαϊνή λαβή και από τη λαβή του διακόπτη. Αν δεν το κάνετε αυτό, μπορεί να έχει ως αποτέλεσμα απώλεια ελέγχου του εργαλείου και πιθανώς σοβαρό τραυματισμό.

ΣΗΜΕΙΩΣΗ:

Ενδεχομένως να προκύψει εκκεντρότητα στην περιστροφή της μύτες όταν θέτετε το εργαλείο σε λειτουργία χωρίς φορτίο. Το εργαλείο κεντράρεται αυτόματα κατά τη λειτουργία. Αυτό δεν επηρεάζει την ακρίβεια του τρυπανίσματος.

Φυσητήρι (προαιρετικό αξεσουάρ) (Εικ. 18)

Μετά από το τρυπάνισμα της οπής, χρησιμοποιήστε το φυσητήρι για να καθαρίσετε τη σκόνη από την οπή.


Καλέμισμα/Ξύσιμο/Ξήλωμα (Εικ. 19)

Θέστε τη λαβή αλλαγής τρόπου δράσης στο σύμβολο **U**.

Να κρατάτε το εργαλείο γερά και με τα δύο χέρια. Θέστε το εργαλείο σε λειτουργία και ασκήστε ελαφριά πίεση σε αυτό για να μην αναπηδά ανεξέλεγκτα. Δεν θα αυξηθεί η αποδοτικότητα του εργαλείου αν το πιέζετε πιο δυνατά.

Τρυπάνισμα σε ξύλο ή μέταλλο (Εικ. 20 και 21)

Χρησιμοποιήστε την προαιρετική διάταξη κεφαλής δράπανου. Όταν την τοποθετείτε, ανατρέξτε στην παράγραφο «Τοποθέτηση ή αφαίρεση της μύτης» που περιγράφεται στην προηγούμενη σελίδα.

Θέστε τη λαβή αλλαγής τρόπου δράσης ώστε η ένδειξη να είναι στραμμένη στο σύμβολο .

ΠΡΟΣΟΧΗ:

- Μη χρησιμοποιείτε ποτέ «περιστροφή με κρούση» όταν είναι τοποθετημένη στο εργαλείο η διάταξη κεφαλής δράπανου. Μπορεί να προκληθεί βλάβη στη διάταξη κεφαλής δράπανου. Επίσης, η κεφαλή δράπανου θα αποσυνδεθεί και θα πέσει κατά την αναστροφή της κίνησης του εργαλείου.
- Δεν θα επιταχυνθεί το τρυπάνισμα αν πιέζετε υπερβολικά το εργαλείο. Στην πραγματικότητα, αυτή η υπερβολική πίεση απλώς θα προκαλέσει βλάβη στο άκρο της μύτης, θα μειώσει την απόδοση του εργαλείου και θα συντομεύσει την ωφέλιμη διάρκεια ζωής του εργαλείου.
- Ασκείται τεράστια δύναμη στρέψης στο εργαλείο/μύτη τη στιγμή που διαπερνάει η οπή. Κρατήστε το εργαλείο σταθερά και προσέχετε όταν η μύτη ξεκινήσει να διαπερνάει το τεμάχιο εργασίας.
- Μπορείτε να βγάλετε μια μύτη που έχει εμπλακεί ρυθμίζοντας απλώς το αναστροφικό σε αντίστροφη κατεύθυνση περιστροφής ώστε να αποσυρθεί το εργαλείο. Όμως, το εργαλείο μπορεί να αποσυρθεί απότομα αν δεν το κρατάτε σταθερά.
- Να στερεώνετε πάντοτε τα μικρά τεμάχια εργασίας σε μέγκενη ή παρόμοια συσκευή.

ΣΥΝΤΗΡΗΣΗ

ΠΡΟΣΟΧΗ:

- Να βεβαιώνετε πάντοτε ότι έχετε σβήσει το εργαλείο και έχετε βγάλει την μπαταρία πριν εκτελέσετε οποιαδήποτε εργασία ελέγχου ή συντήρησης σε αυτό.
- Μην χρησιμοποιήσετε βενζίνη, βενζόλη, διαλυτικό, αλκοόλη ή κάτι παρόμοιο. Μπορεί να προκληθεί αποχρωματισμός, παραμόρφωση ή ρωγμές.

Αλλαγή καρβουνακίων (Εικ. 22)

Να αφαιρείτε και να ελέγχετε τακτικά τα καρβουνάκια. Να αντικαθιστάτε τα καρβουνάκια όταν έχουν φθαρεί έως την ένδειξη ορίου. Να διατηρείτε τα καρβουνάκια καθαρά και ελεύθερα για να γλιστρούν στις υποδοχές.

Πρέπει να αλλάζετε ταυτόχρονα και τα δύο καρβουνάκια.

Να χρησιμοποιείτε μόνο καρβουνάκια ίδιου τύπου.

Για να βγάλετε τα καλύμματα καπακιού υποδοχής, τοποθετήστε την άκρη ενός πλακέ κατασαβιδιού στο τμήμα με εγκοπή του εργαλείου και ανυψώστε την. (Εικ. 23)

Με τη βοήθεια ενός κατασαβιδιού, βγάλετε τα καπάκια υποδοχής για τα καρβουνάκια.

Βγάλτε τα φθαρμένα καρβουνάκια, τοποθετήστε τα καινούργια και ασφαλίστε τα καπάκια υποδοχής για τα καρβουνάκια. (Εικ. 24)

Τοποθετήστε ξανά τα καλύμματα καπακιού υποδοχής στο εργαλείο.

Για να διατηρείται η ΑΣΦΑΛΕΙΑ και η ΑΞΙΟΠΙΣΤΙΑ του προϊόντος, οι εργασίες επισκευής, καθώς και οποιαδήποτε άλλη εργασία συντήρησης ή ρύθμισης, θα πρέπει να εκτελούνται σε εξουσιοδοτημένα κέντρα εξυπηρέτησης της Makita, και πάντοτε με τη χρήση ανταλλακτικών της Makita.

ΠΡΟΑΙΡΕΤΙΚΑ ΑΞΕΣΟΥΑΡ

⚠ ΠΡΟΣΟΧΗ:

- Συνιστάται η χρήση αυτών των αξεσουάρ ή εξαρτημάτων με το εργαλείο της Makita, όπως περιγράφεται στο παρόν εγχειρίδιο. Αν χρησιμοποιήσετε άλλα αξεσουάρ ή εξαρτήματα μπορεί να παρουσιαστεί κίνδυνος για πρόκληση τραυματισμού προσώπων. Να χρησιμοποιείτε τα αξεσουάρ και τα εξαρτήματα μόνο για το σκοπό για τον οποίο προορίζονται.

Αν χρειάζεστε κάποια βοήθεια ή περισσότερες πληροφορίες σχετικά με τα αξεσουάρ αυτά, απευθυνθείτε στο πλησιέστερο κέντρο εξυπηρέτησης της Makita.

- Μύτες με άκρο SDS-Plus καρβιδίου
- Βελόνι
- Ψυχρό καλέμι
- Καλέμι σφυροκοπήματος
- Καλέμι για αυλάκισμα
- Διάταξη κεφαλής δράπανου
- Κεφαλή δράπανου S13
- Προσαρμογέας κεφαλής
- Κλειδί κεφαλής S13
- Γράσο για μύτες
- Πλαϊνή λαβή
- Μετρητής βάθους
- Φυσητήρι
- Κύπελλο σκόνης
- Εξάρτημα εξαγωγής σκόνης
- Γυαλιά προστασίας
- Πλαστική θήκη μεταφοράς
- Κεφαλή δράπανου χωρίς κλειδί
- Διάφοροι τύποι γνήσιων μπαταριών και φορτιστών της Makita

ΣΗΜΕΙΩΣΗ:

- Ορισμένα από τα στοιχεία της λίστα μπορεί να περιέχονται στην συσκευασία του εργαλείου ως κανονικά αξεσουάρ. Αυτά ενδέχεται να διαφέρουν από χώρα σε χώρα.

Θόρυβος

ENG905-1

Το σύνθημα σταθμισμένο επίπεδο θορύβου που έχει καθοριστεί σύμφωνα με την EN60745:

Επίπεδο ηχητικής πίεσης (L_{pA}): 87 dB (A)

Επίπεδο ηχητικής ισχύος (L_{WA}): 98 dB (A)

Αβεβαιότητα (K): 3 dB (A)

Να φοράτε ωτοασπίδες.

Δόνηση

ENG900-1

Η συνολική τιμή δόνησης (διανυσματικό άθροισμα τριών αξόνων) που έχει καθοριστεί σύμφωνα με την EN60745:

Κατάσταση λειτουργίας: κρουστική διάτρηση σε σιμέντο

Εκπομπή δόνησης ($a_{h,HD}$): 14,5 m/s²

Αβεβαιότητα (K): 1,5 m/s²

Κατάσταση λειτουργίας: καλέμισμα
Εκπομπή δόνησης ($a_{h,CHeq}$): 11,0 m/s²
Αβεβαιότητα (K): 1,5 m/s²

Κατάσταση λειτουργίας: διάτρηση σε μέταλλο
Εκπομπή δόνησης ($a_{h,D}$): 3,0 m/s²
Αβεβαιότητα (K): 1,5 m/s²

ENG901-1

- Η δηλωθείσα τιμή των παραγομένων κραδασμών έχει καταμετρηθεί σύμφωνα με την τυποποιημένη μέθοδο δοκιμασίας και μπορεί να χρησιμοποιηθεί για την σύγκριση ενός εργαλείου με ένα άλλο.
- Η δηλωθείσα τιμή των παραγομένων κραδασμών μπορεί επίσης να χρησιμοποιηθεί για μια προκαταρκτική αξιολόγηση της έκθεσης στους κραδασμούς.

ΠΡΟΕΙΔΟΠΟΙΗΣΗ:

- Η εκπομπή κραδασμών κατά τη διάρκεια της πραγματικής χρήσης του ηλεκτρικού εργαλείου μπορεί να διαφέρει από τη δηλωθείσα τιμή των εκπομπών, ανάλογα με τον τρόπο με τον οποίο χρησιμοποιείται το εργαλείο.
- Φροντίστε να λάβετε τα μέτρα ασφαλείας που απαιτούνται για την προστασία του χρήστη που βασίζονται σε μια εκτίμηση της έκθεσης σε πραγματικές συνθήκες χρήσης (λαμβάνοντας υπόψη όλα τα μέρη του κύκλου λειτουργίας, όπως είναι οι περιπτώσεις κατά τις οποίες το εργαλείο είναι απενεργοποιημένο και όταν λειτουργεί στο ρελαντί επιπροσθέτως του χρόνου κατά τον οποίο το εργαλείο βρίσκεται σε χρήση).

Για τις ευρωπαϊκές χώρες μόνο ENH101-17

EK – Δήλωση συμμόρφωσης

Η Makita δηλώνει ότι το παρακάτω μηχάνημα(τα):

Ονομασία μηχανήματος:

Πνευματικό-σκαπτικό δράπανο μπαταρίας

Αρ. Μοντέλου/Τύπος: DHR202

Συμμορφώνονται με τις ακόλουθες Ευρωπαϊκές

Οδηγίες:

2006/42/EK

Κατασκευάζονται σύμφωνα με το παρακάτω πρότυπο ή τυποποιημένα έγγραφα:

EN60745

Το τεχνικό αρχείο σύμφωνα με την 2006/42/EK είναι διαθέσιμο από:

Makita, Jan-Baptist Vinkstraat 2, 3070, Belgium

31. 12. 2013



Yasushi Fukaya

Διευθυντής

Makita, Jan-Baptist Vinkstraat 2, 3070, Belgium

Makita Jan-Baptist Vinkstraat 2, 3070, Belgium
Makita Corporation Anjo, Aichi, Japan

885256A991

www.makita.com

ALA